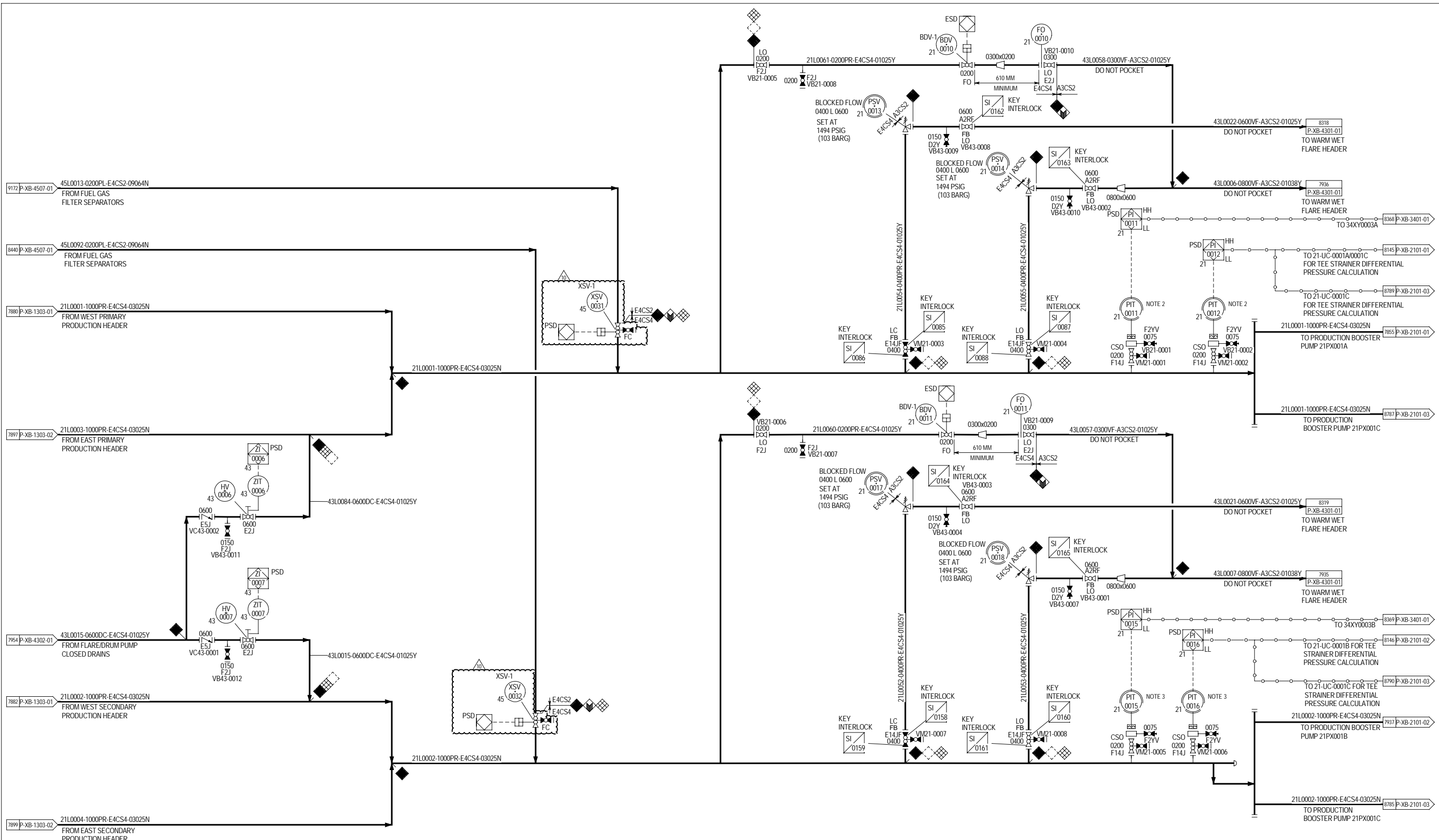


This document is the sole and exclusive property of Wood Group USA, including all patented and unpatented features, and/or confidential information contained herein. Its use is conditioned upon the user's agreement not to: (i) reproduce this document, in whole or in part, for the material described therein; (ii) use the document for any purpose other than as specifically permitted in writing by Wood Group USA; or (iii) disclose or otherwise disseminate or allow any such disclosure or dissemination of this document or its contents to others except as specifically permitted in writing by Wood Group USA, its affiliates, or its subsidiaries.



- NOTES**
- REFER TO P&ID DRAWINGS C140-MU-P-XB-0001-01 THROUGH C140-MU-P-XB-0008-01 FOR LEGEND AND SYMBOLS DETAILS.
 - 21PIT011 AND 21PIT012 TO BE WIRED SEPARATE PSD I/O CARDS.
 - 21PIT015 AND 21PIT016 TO BE WIRED SEPARATE PSD I/O CARDS.

REV	DATE	BY	DESCRIPTION	CHK	ENGR	APPR	CLIENT	SCALE:	NONE	DATE
08C	17 Oct 17	LB	RE-ISSUED FOR CONSTRUCTION	ETS	RAK	BH				
07C	25 Apr 17	LB	ISSUED FOR CONSTRUCTION	RAK	ETS	EMF				
06	09 Jan 17	LB	ISSUED FOR DESIGN	RAK	ETS	EMF				
05	12 Sep 16	LB	ISSUED FOR HAZOP	RAK	ETS	EMF				
04	11 Mar 16	LD	RE-ISSUED FOR DESIGN	MLH	RAK	EMF				
03	28 Oct 15	RR	ISSUED FOR DESIGN	RAK	ETS	LSE				
02	28 Aug 15	CMB	ISSUED FOR HAZOP	RAK	ETS	LSE				
01	31 Jul 15	LB	ISSUED FOR CLIENT REVIEW	RAK	ETS	LSE				
09	07 Dec 17	LB	ISSUED FOR DESIGN	ETS	RAK	BH				



WOOD GROUP USA, INC.

PROJECT NO: 106663
 STATOIL PO#: 4503367243

DESIGNED BY:
 DRAWN BY: C. BROWN
 CHECKED BY:
 APPROVED BY:

SOUTH ATLANTIC HOLDING B.V.

PEREGRINO II

PIPING & INSTRUMENT DIAGRAM
PRODUCTION MANIFOLDS

DRAWING NO: **C140-MU-P-XB-1304-01** REV: **10**