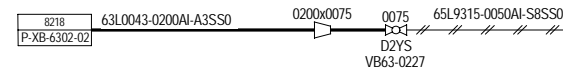


65JC001  
WELLHEAD  
CONTROL PANEL WEST

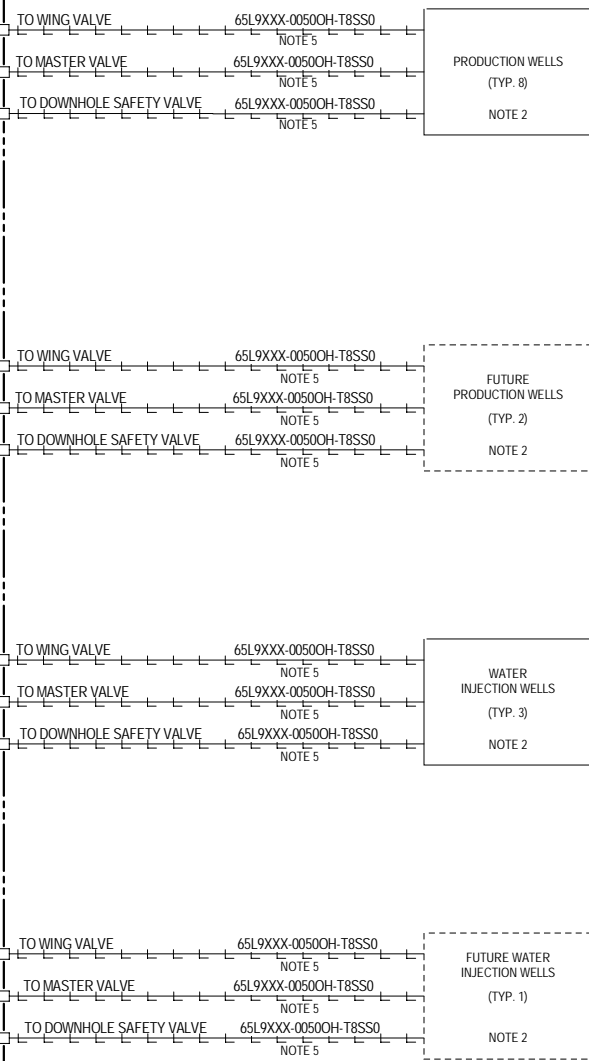
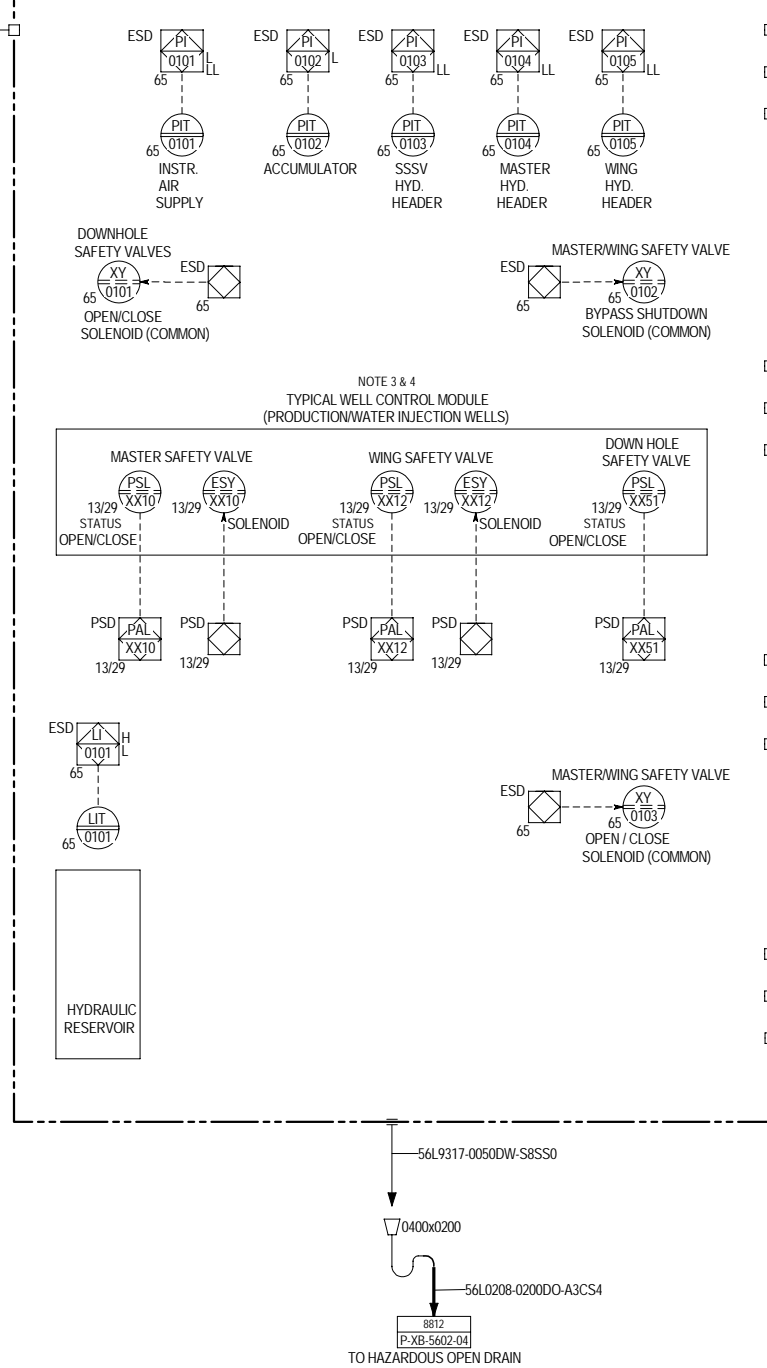
13W0XX  
PRODUCTION WELLHEADS

29W0XX  
WATER INJECTION WELLHEADS

NOTE 3



65JC001



This document is the sole and exclusive property of Wood Group USA, including all patented and patentable features and/or confidential information contained herein. Its use is conditioned upon the user's agreement not to: (i) reproduce the document, in whole or in part, for the material described therein; (ii) use the document for any purpose other than as specifically permitted in writing by Wood Group USA; or (iii) disclose or otherwise disseminate or allow any such disclosure or dissemination of this document or its contents to others except as specifically permitted in writing by Wood Group USA, or its affiliates.

- NOTES
- REFER TO P&ID DRAWINGS C140-MU-P-XB-0001-01 THROUGH C140-MU-P-XB-0008-01 FOR LEGEND AND SYMBOLS DETAILS.
  - FOR WELLHEAD TUBING DETAILS SEE P&IDS C140-MU-P-XB-1301.01/02 AND 2904.01/02.
  - REFER TO P&ID C140-MU-P-XB-6501-03 FOR INITIAL SPECIFIC DESIGNATIONS OF NUMBERED WELLHEADS ASSIGNED TO EAST OR WEST PANEL LOCATIONS, AND REMOTE SHUTDOWN ASSOCIATED INSTRUMENTATION.
  - WELL CONTROL PACKAGE INFORMATION IS PRELIMINARY, AND TO BE VERIFIED, CONFIRMED AND UPDATED LATER DURING DETAIL DESIGN PHASE.
  - REFERENCE INSTRUMENT TUBE SCHEDULE C140-MU-J-LA-0013 FOR TUBE NUMBERS.

REV	DATE	BY	DESCRIPTION	CHK	ENGR	APPR	CLIENT	SCALE:	NONE	DATE
08C	05 Dec 17	LB	RE-ISSUED FOR CONSTRUCTION	ETS	RAK	EMF				
07C	25 Apr 17	LB	ISSUED FOR CONSTRUCTION	RAK	ETS	EMF				
06	09 Jan 17	LB	ISSUED FOR DESIGN	RAK	ETS	EMF				
05	12 Sep 16	LB	ISSUED FOR HAZOP	RAK	ETS	EMF				
04	19 Feb 16	LD	RE-ISSUED FOR DESIGN	MLH	RAK	EMF				
03	28 Oct 15	CMB	ISSUED FOR DESIGN	RAK	ETS	LSE				
02	03 Sep 15	CMB	ISSUED FOR HAZOP	RAK	KDF	LSE				
01	31 Jul 15	LB	ISSUED FOR CLIENT REVIEW	RAK	KDS	LSE				
A	28 Jul 15	LD	ISSUED FOR INTERNAL REVIEW	RAK	KDF	LSE				



PROJECT NO: 106663  
STATOIL PO#: 4503367243  
DESIGNED BY:  
DRAWN BY: L.DOUGLASS 28 Jul 15  
CHECKED BY:  
APPROVED BY:

SOUTH ATLANTIC HOLDING B.V.  
PEREGRINO II  
PIPING & INSTRUMENT DIAGRAM  
WEST HYDRAULIC CONTROL PANEL

DRAWING NO: C140-MU-P-XB-6501-02 REV: 09C