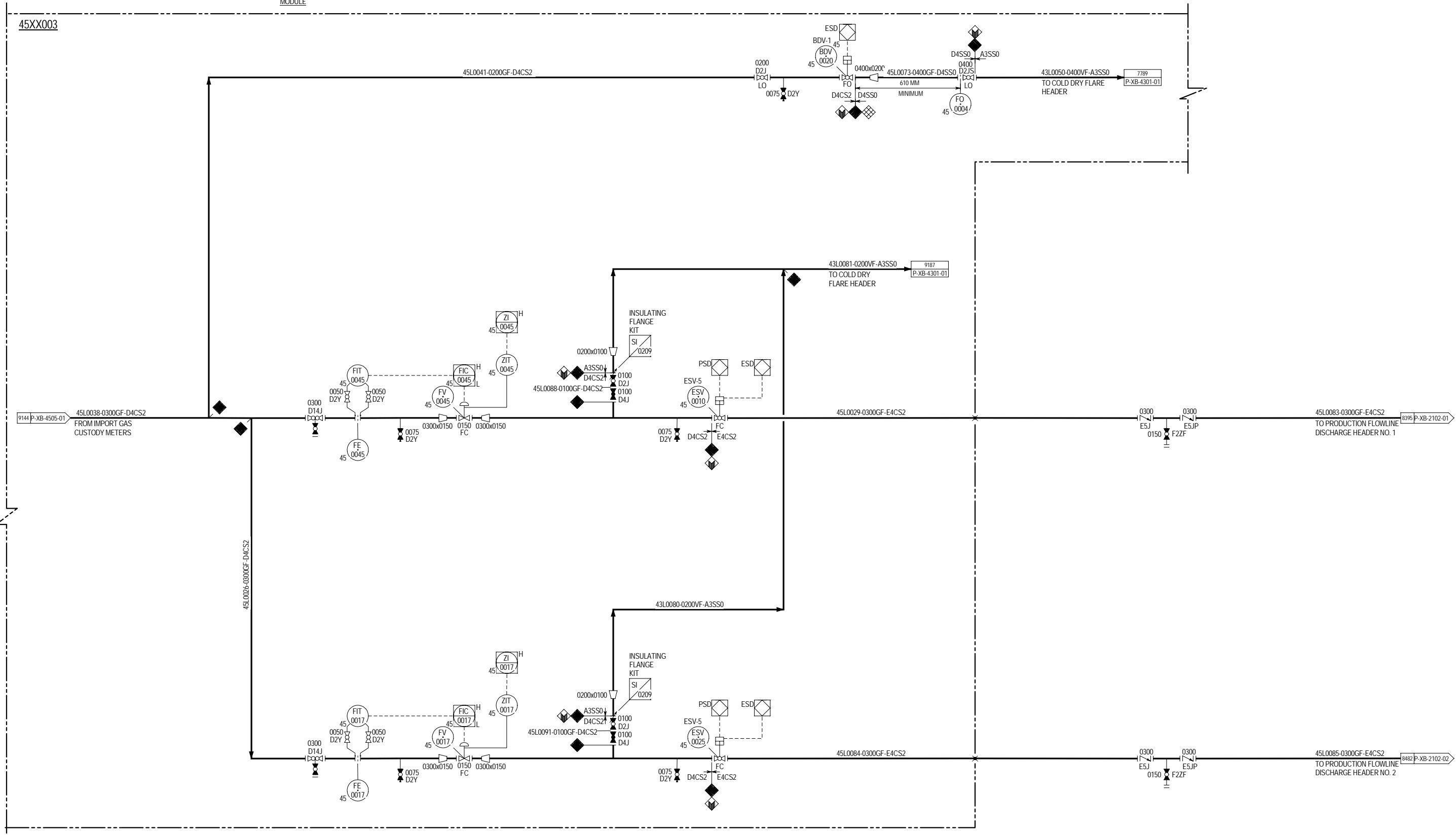


This document is the sole and exclusive property of Wood Group USA, including all patented and patentable features and/or confidential information contained herein. Its use is conditioned upon the user's agreement not to: (i) reproduce the document, in whole or in part, for the material described therein; (ii) use the document for any purpose other than as specifically permitted in writing by Wood Group USA; or (iii) disclose or otherwise disseminate or allow any such disclosure or dissemination of this document or its contents to others except as specifically permitted in writing by Wood Group USA. Wood Group USA as used herein refers to Wood Group USA, Inc. and its affiliates.

MATCH LINE DWG. C140-WG-P-XB-4505-01

45XX003
FUEL GAS
MODULE

45XX003



NOTES
1. REFER TO P&ID DRAWINGS C140-MU-P-XB-0001-01 THROUGH C140-MU-P-XB-0008-01 FOR LEGEND AND SYMBOLS DETAILS.

REV	DATE	BY	DESCRIPTION	CHK	ENGR	APPR	CLIENT	SCALE:	NONE	DATE
07	07 Dec 17	LB	ISSUED FOR DESIGN	ETS	RAK	BH				
06	17 Oct 17	LB	ISSUED FOR HAZOP	ETS	RAK	BH				
05	18 Aug 17	LB	ISSUED FOR CLIENT REVIEW	ETS	RAK	JW				
04	28 Mar 16	LD	RE-ISSUED FOR DESIGN	MLH	RAK	EMF		PROJECT NO: 106663		
03	29 Oct 15	LB	ISSUED FOR DESIGN	RAK	ETS	LSE		STATOIL PO#: 4503367243		
02	28 Aug 15	RR	ISSUED FOR HAZOP	RAK	KDF	LSE		DESIGNED BY:		
01	30 Jul 15	LB	ISSUED FOR CLIENT REVIEW	RAK	KDF	LSE		DRAWN BY: L. BLOUNT		07 Aug 17
A	06 Jul 15	LD	ISSUED FOR INTERNAL REVIEW	RAK	KDF	LSE		CHECKED BY:		
								APPROVED BY:		

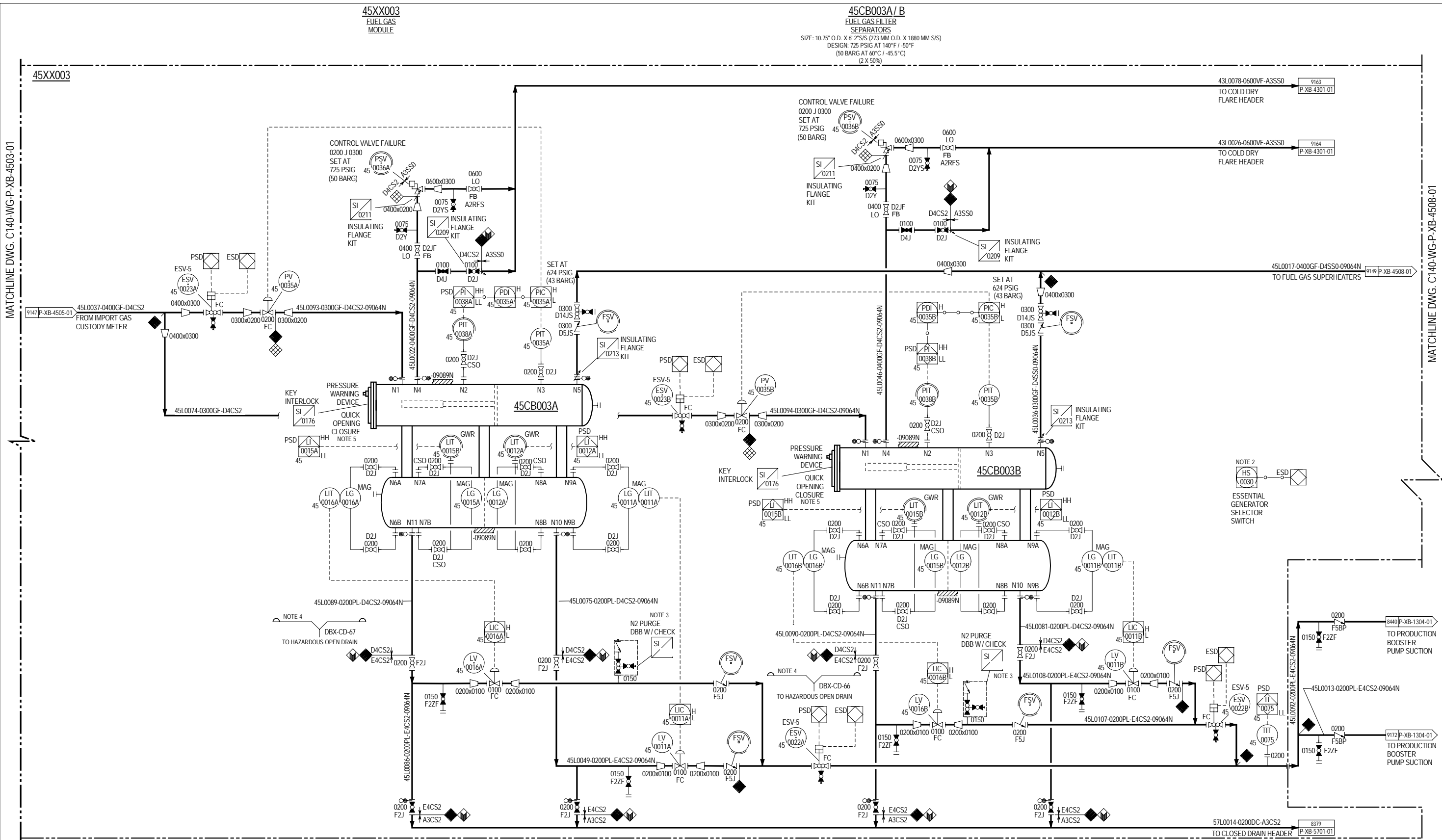


SOUTH ATLANTIC HOLDING B.V.
PEREGRINO II

PIPING & INSTRUMENT DIAGRAM
FUEL GAS EXPORT

DRAWING NO: C140-MU-P-XB-4506-01 REV: 07

This document is the sole and exclusive property of Wood Group USA, including all patented and unpatented features and/or confidential information contained herein. Its use is conditioned upon the user's agreement not to: (i) reproduce the document, in whole or in part, for the material described therein; (ii) use the document for any purpose other than as specifically permitted in writing by Wood Group USA; or (iii) disclose or otherwise disseminate or allow any such disclosure or dissemination of this document or its contents to others except as specifically permitted in writing by Wood Group USA, its affiliates, or its subsidiaries.



- NOTES**
- REFER TO P&ID DRAWINGS C140-MU-P-XB-001-01 THROUGH C140-MU-P-XB-008-01 FOR LEGEND AND SYMBOLS DETAILS.
 - WHEN A TRIP CALLS FOR A SINGLE GENERATOR TO SWITCH OVER FROM GAS TO DIESEL FUEL, ONLY THE GENERATOR SELECTED AS THE "ESSENTIAL GENERATOR" SHALL BE SWITCHED TO DIESEL CONNECTION FOR NITROGEN PURGING.
 - DRAIN BOX UNDERNEATH CLOSURE END OF FILTER SEPARATOR.
 - CLOSURE TO HAVE A MECHANICAL SAFETY PRESSURE INTERLOCK.

FUEL GAS FILTER SEPARATOR LEVEL SETTINGS (MM) DIRTY SUMP		FUEL GAS FILTER SEPARATOR LEVEL SETTINGS (MM) CLEAN SUMP	
300	INSIDE TOP OF LOWER BARREL	300	INSIDE TOP OF LOWER BARREL
250	HH	250	HH
200	H	200	H
150	NLL	150	NLL
100	L	100	L
50	LL	50	LL
0	INSIDE BOTTOM OF LOWER BARREL	0	INSIDE BOTTOM OF LOWER BARREL

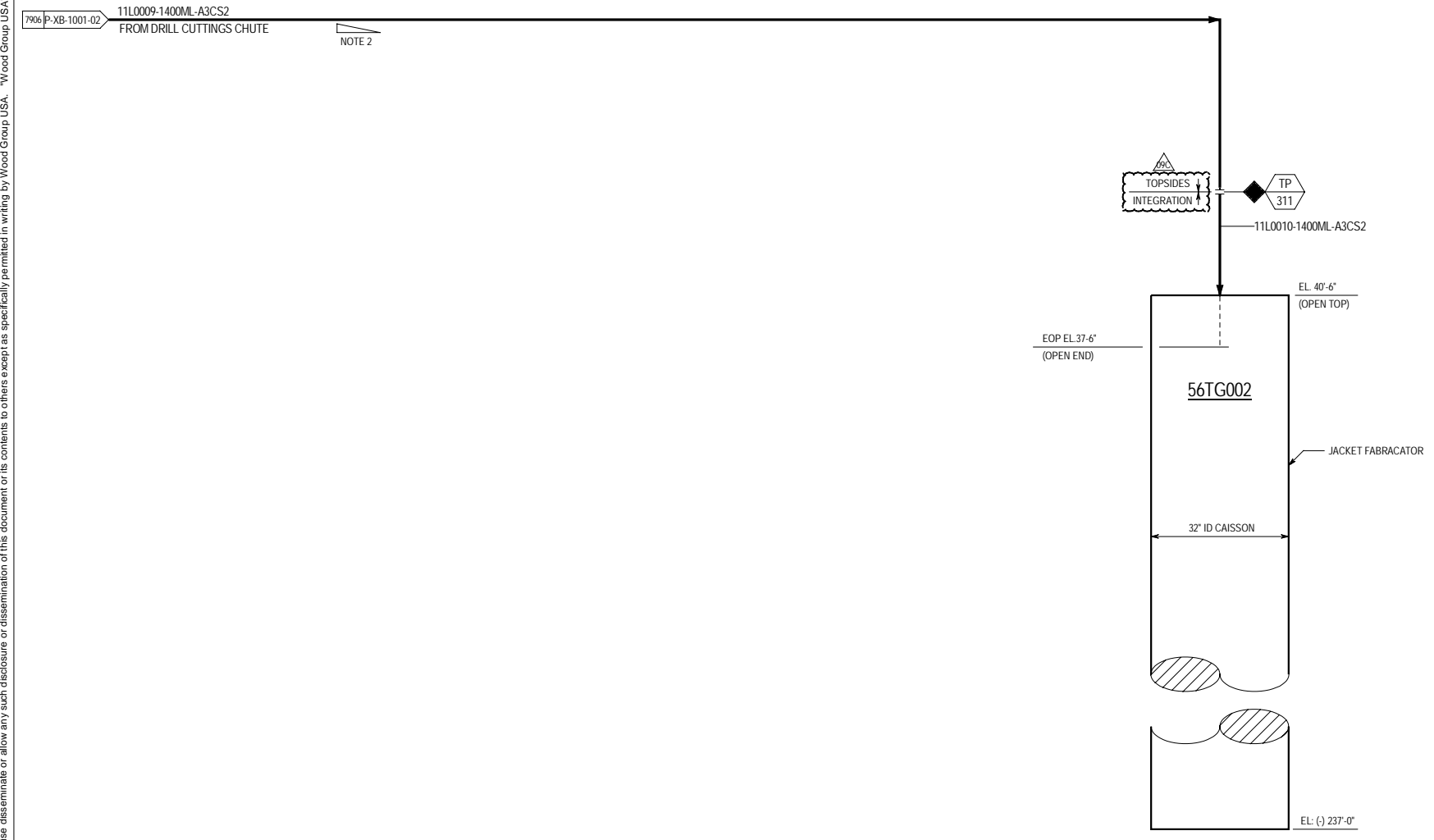
REV	DATE	BY	DESCRIPTION	CHK	ENGR	APPR	CLIENT	SCALE	NONE	DATE
07	07 Dec 17	LB	ISSUED FOR DESIGN		ETS	RAK	BH			
06	17 Oct 17	LB	ISSUED FOR HAZOP		ETS	RAK	BH			
05	18 Aug 17	LB	ISSUED FOR CLIENT REVIEW		ETS	RAK	JW			
04	28 Mar 16	LD	RE-ISSUED FOR DESIGN		MLH	RAK	EMF			
03	29 Oct 15	RR	ISSUED FOR DESIGN		RAK	ETS	LSE			
02	28 Aug 15	CMC	ISSUED FOR HAZOP		RAK	KDF	LSE			
01	31 Jul 15	CB	ISSUED FOR CLIENT REVIEW		RAK	KDF	LSE			
A	06 Jul 15	LD	ISSUED FOR INTERNAL REVIEW		RAK	KDF	LSE			

SOUTH ATLANTIC HOLDING B.V.			
PEREGRINO II			
PIPING & INSTRUMENT DIAGRAM FUEL GAS FILTER SEPARATORS			
PROJECT NO:	106663	DRAWN BY:	LDOUGLASS
STATOIL PO#:	4503367243	CHECKED BY:	
DESIGNED BY:		APPROVED BY:	
DATE:	07 Aug 17	SCALE:	NONE

DRAWING NO:	C140-MU-P-XB-4507-01	REV:	07
-------------	----------------------	------	----

This document is the sole and exclusive property of Wood Group USA, including all patented and patentable features, and/or confidential information contained herein. Its use is conditioned upon the user's agreement not to: (i) reproduce the document, in whole or in part, for the material described therein; (ii) use the document for any purpose other than as specifically permitted in writing by Wood Group USA; or (iii) disclose or otherwise disseminate or allow any such disclosure or dissemination of this document or its contents to others except as specifically permitted in writing by Wood Group USA. Wood Group USA, "Wood Group USA", and its affiliates.

56TG002
DRILL CUTTINGS
CAISSON
 SIZE: 810 MM ID



- NOTES
- REFER TO P&ID DRAWINGS C140-MU-P-XB-0001-01 THROUGH C140-MU-P-XB-0008-01 FOR LEGEND AND SYMBOLS DETAILS.
 - MINIMUM SLOPE SHALL BE 60°.

REV	DATE	BY	DESCRIPTION	CHK	ENGR	APPR	CLIENT
08C	05 Dec 17	LB	RE-ISSUED FOR CONSTRUCTION	ETS	RAK	EMF	
07C	25 Apr 17	LB	ISSUED FOR CONSTRUCTION	RAK	NT	EMF	
06	09 Jan 17	LB	ISSUED FOR DESIGN	RAK	GLE	EMF	
05	12 Sep 16	LB	ISSUED FOR HAZOP	RAK	GLE	EMF	
04	19 Feb 16	LD	RE-ISSUED FOR DESIGN	MLH	RAK	EMF	
03	29 Oct 15	RR	ISSUED FOR DESIGN	RAK	GLE	LSE	
02	28 Aug 15	CMB	ISSUED FOR HAZOP	RAK	GLE	LSE	
01	30 Jul 15	RR	ISSUED FOR CLIENT REVIEW	RAK	GLE	LSE	
A	06 Jul 15	LB	ISSUED FOR INTERNAL REVIEW	RAK	GLE	LSE	

Kiewit WOOD GROUP USA, INC.

PROJECT NO: 106663
 STATOIL PO#: 4503367243

DESIGNED BY: L. BLOUNT 02 Jun 15

CHECKED BY:

APPROVED BY:

SCALE: NONE DATE

SOUTH ATLANTIC HOLDING B.V.
 PEREGRINO II

PIPING & INSTRUMENT DIAGRAM
 DRILLING CUTTINGS CAISSON

DRAWING NO: C140-MU-P-XB-5601-01 REV: 09C

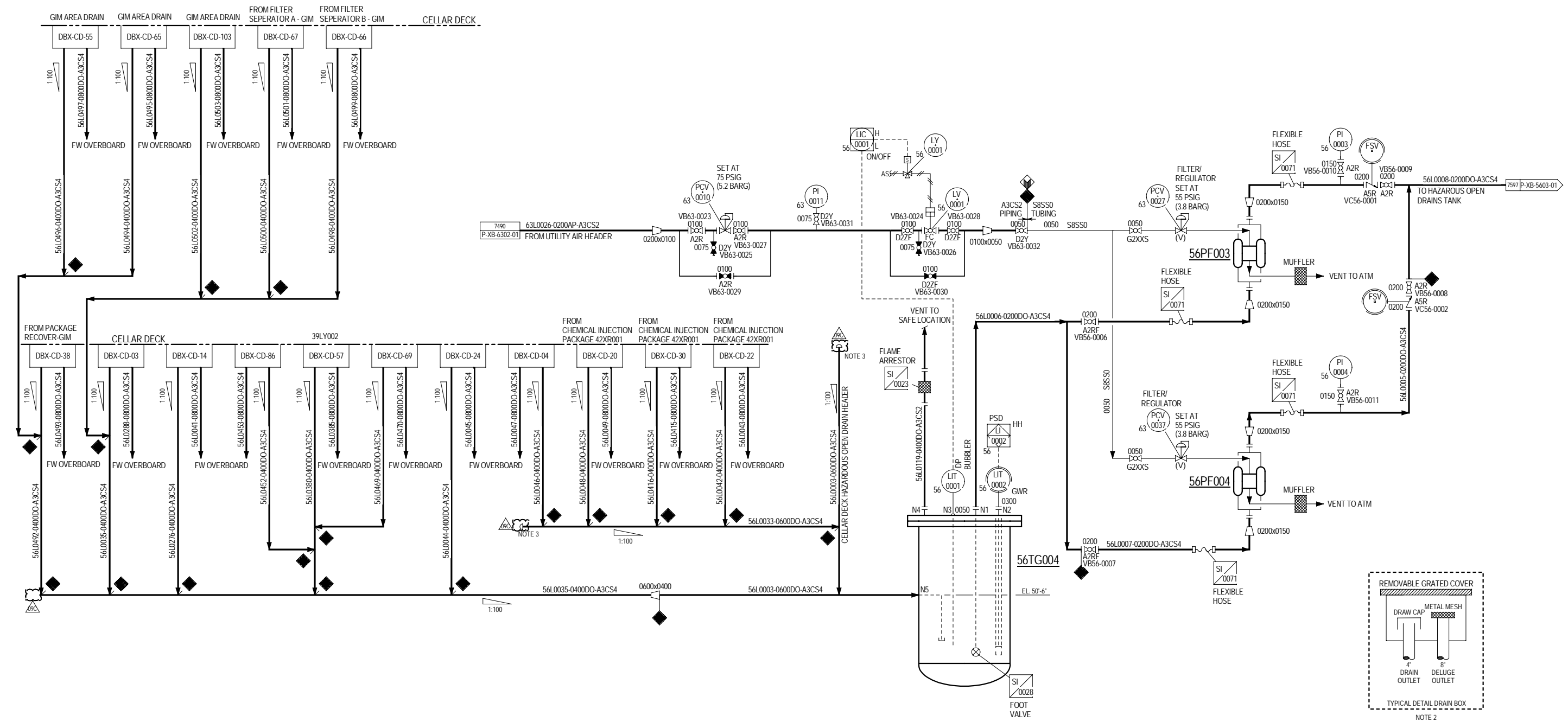
This document is the sole and exclusive property of Wood Group USA, including all patented and patentable features and/or confidential information contained herein. Its use is conditioned upon the user's agreement not to: (i) reproduce the document, in whole or in part, for the material described therein; (ii) use the document for any purpose other than as specifically permitted in writing by Wood Group USA; or (iii) disclose or otherwise disseminate or allow any such disclosure or dissemination of this document or its contents to others except as specifically permitted in writing by Wood Group USA, or its affiliates.

56TG004
CELLAR DECK HAZARDOUS AREA
OPEN DRAIN SUMP

SIZE: 18" O.D. x 7' 6" F/S (457 MM OD X 2286 MM F/S)
DESIGN: 16 OZ/SQ IN.PSIG AT 100°F (703MM H2O AT 38°C)
TRIM: 56L0209-0300DO-A3CS4

56PF003/004
CELLAR DECK HAZARDOUS
OPEN DRAIN SUMP PUMPS

CAPACITY: 31.5 GPM AT 18.6 PSID (7.2 M3/HR AT 1.28 BAR)



- NOTES
- REFER TO P&ID DRAWINGS C140-MU-P-XB-0001-01 THROUGH C140-MU-P-XB-0008-01 FOR LEGEND AND SYMBOLS DETAILS.
 - TYPICAL CELLAR DECK DRAIN BOX. IF DRAIN BOX IS NOT ON CELLAR DECK THE DELUGE OUTLET WILL BE OMITTED.
 - ALL DRAIN HEADERS TO BE RODDABLE.
 - CONNECTION FOR FUTURE PLATFORM EXTENSION ON SW CORNER.

SUMP LEVEL SETTINGS (MM)	
2286	TOP OF SUMP
1975	HH
1775	H
1675	PUMP ON
450	PUMP OFF
375	L
0	BTM SEAM

REV	DATE	BY	DESCRIPTION	CHK	ENGR	APPR	CLIENT	SCALE	NONE	DATE
08C	05 Dec 17	LB	RE-ISSUED FOR CONSTRUCTION	ETS	RAK	EMF				
07C	25 Apr 17	LB	ISSUED FOR CONSTRUCTION	RAK	NT	EMF				
06	09 Jan 17	LB	ISSUED FOR DESIGN	RAK	GLE	EMF				
05	12 Sep 16	LB	ISSUED FOR HAZOP	RAK	GLE	EMF				
04	11 Mar 16	LD	RE-ISSUED FOR DESIGN	MLH	RAK	EMF				
03	29 Oct 15	LB	ISSUED FOR DESIGN	RAK	GLE	LSE				
02	28 Aug 15	CMB	ISSUED FOR HAZOP	RAK	GLE	LSE				
01	30 Jul 15	RR	ISSUED FOR CLIENT REVIEW	RAK	GLE	LSE				
A	06 Jul 15	LD	ISSUED FOR INTERNAL REVIEW	RAK	GLE	LSE				

Kiewit WOOD GROUP USA, INC.

PROJECT NO: 106663
STATOIL PO#: 4503367243

DESIGNED BY:
DRAWN BY: LDOUGLASS
CHECKED BY:
APPROVED BY:

DATE: 05 Jun 15

SOUTH ATLANTIC HOLDING B.V.
PEREGRINO II

PIPING & INSTRUMENT DIAGRAM
HAZARDOUS OPEN DRAINS COLLECTION

DRAWING NO: C140-MU-P-XB-5602-01 REV: 09C