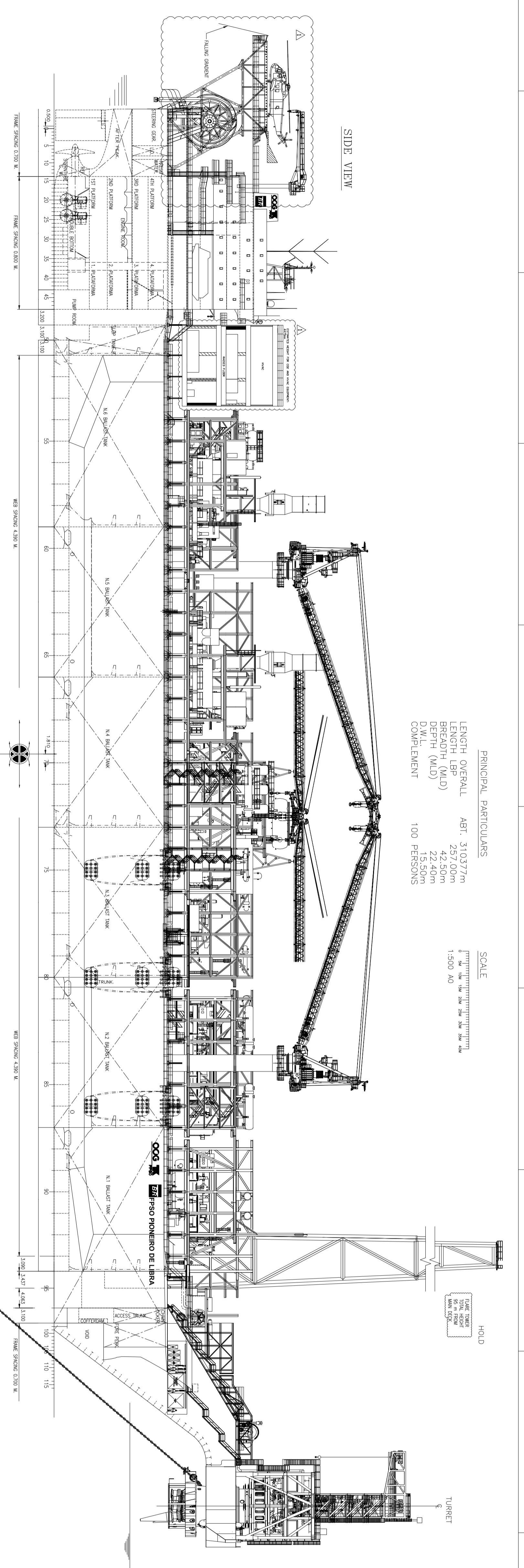


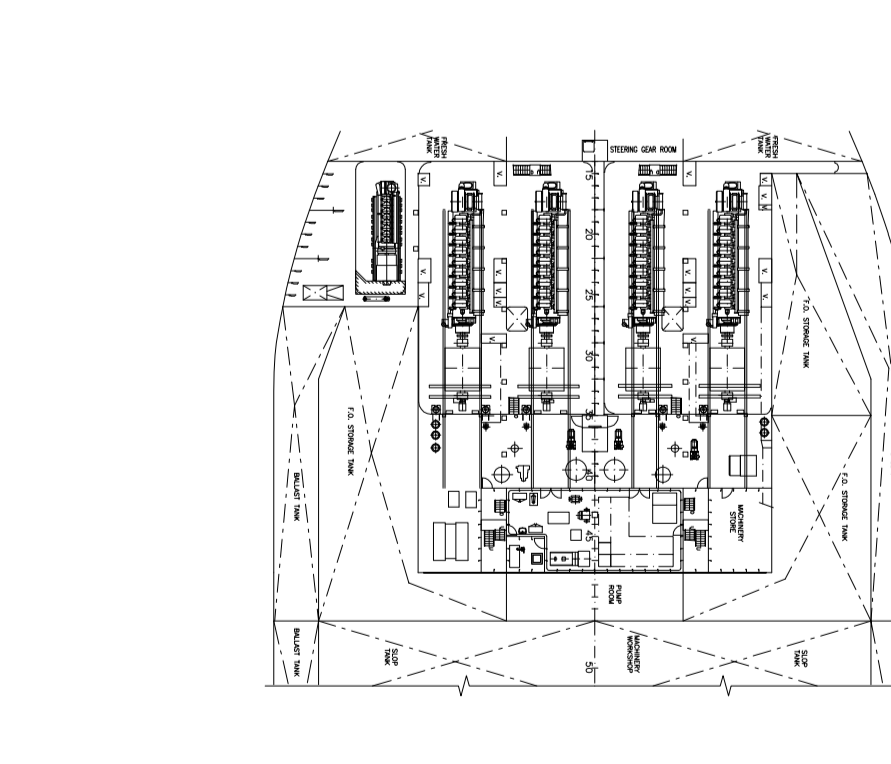
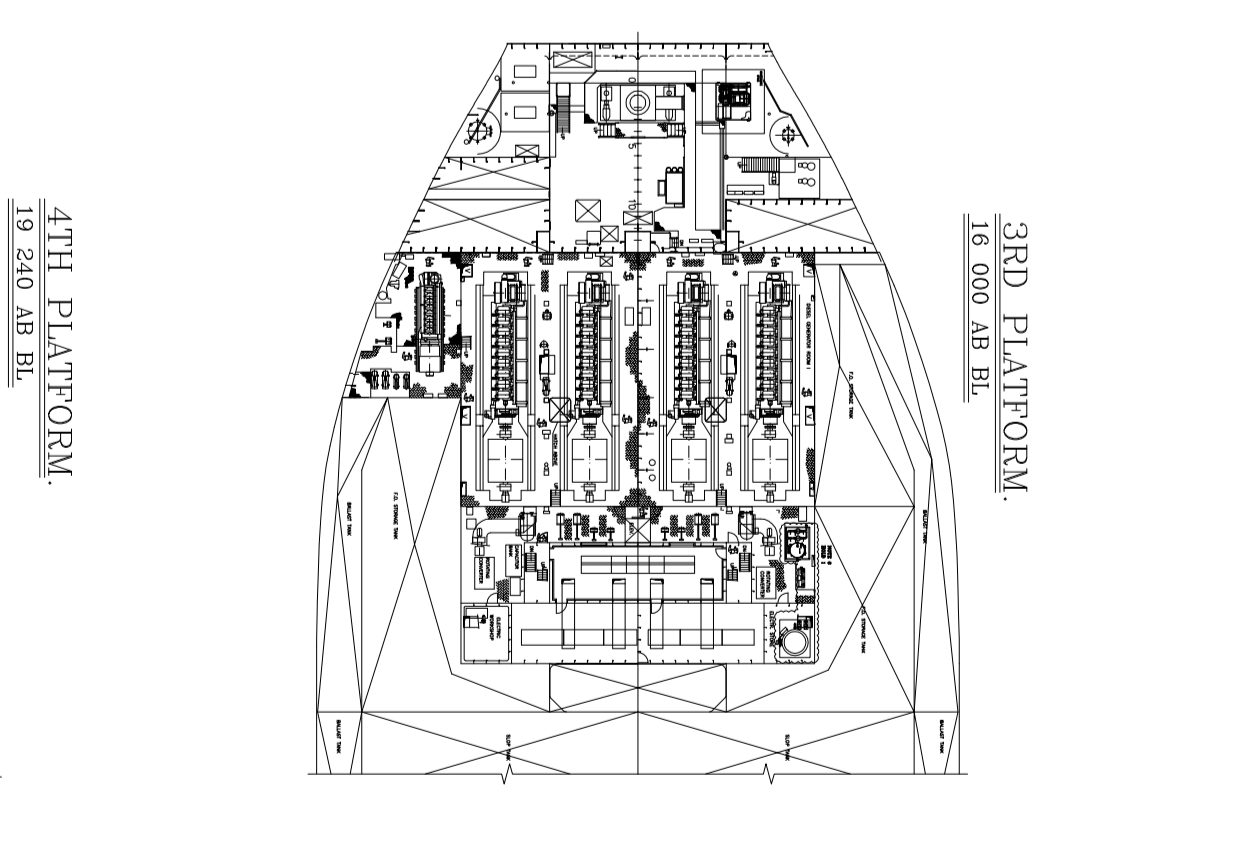
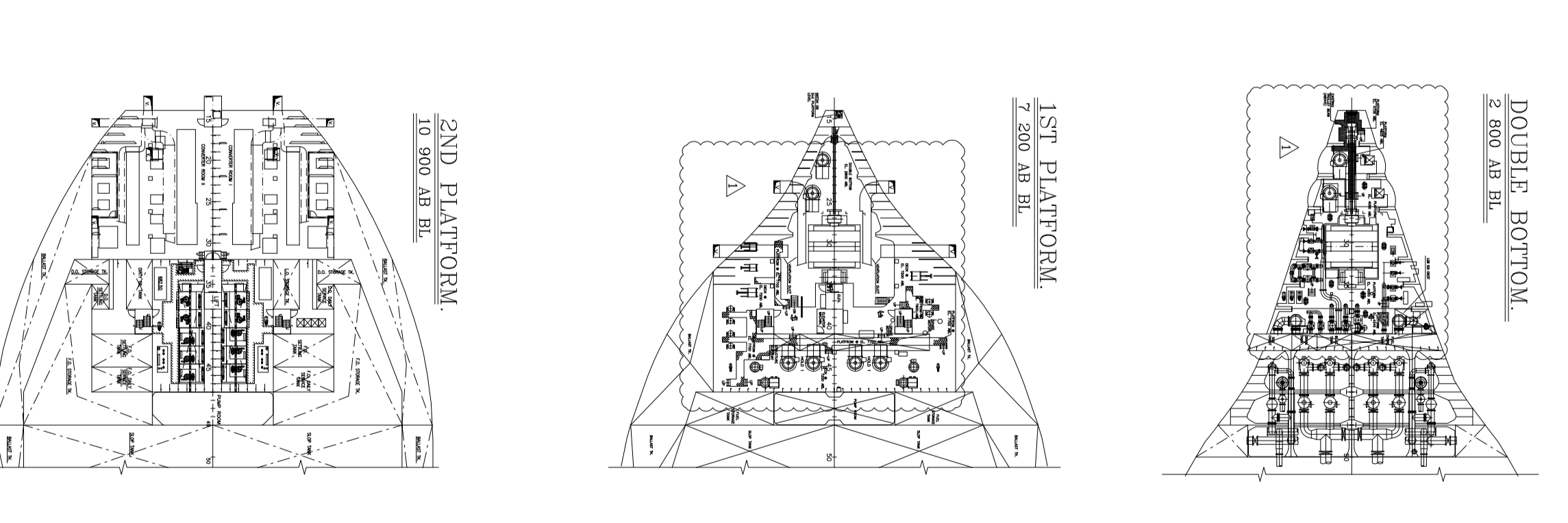
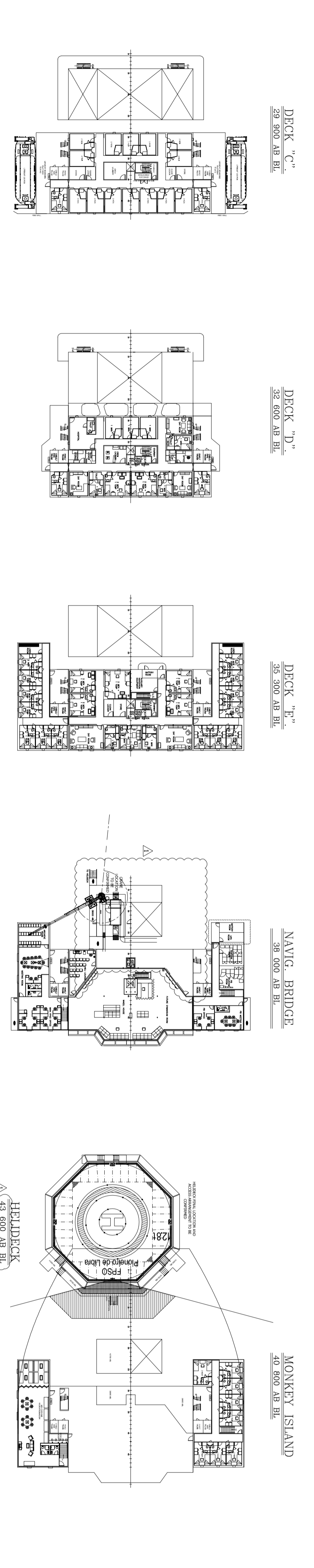
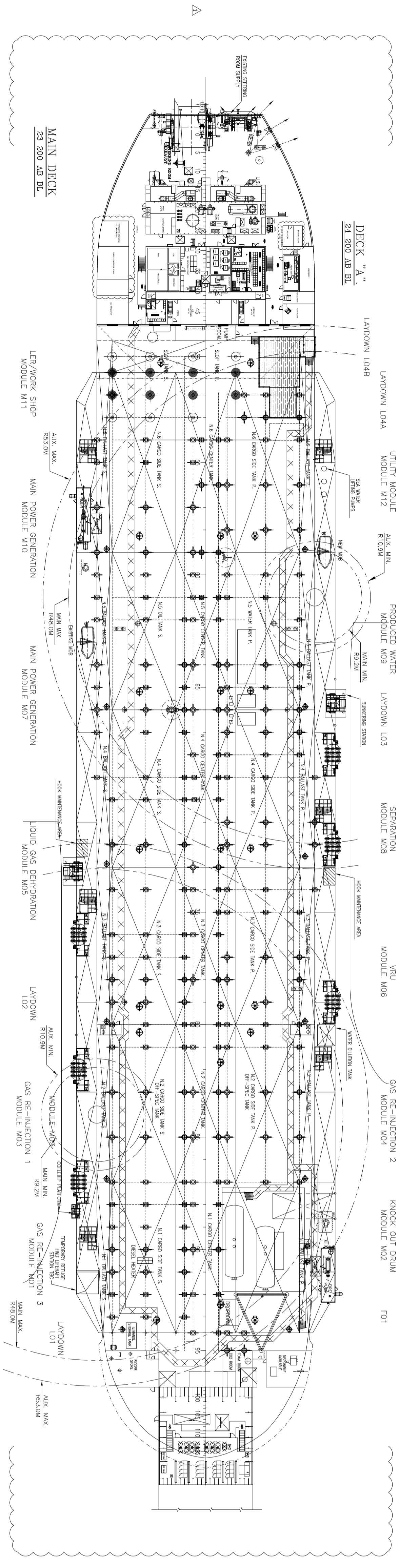
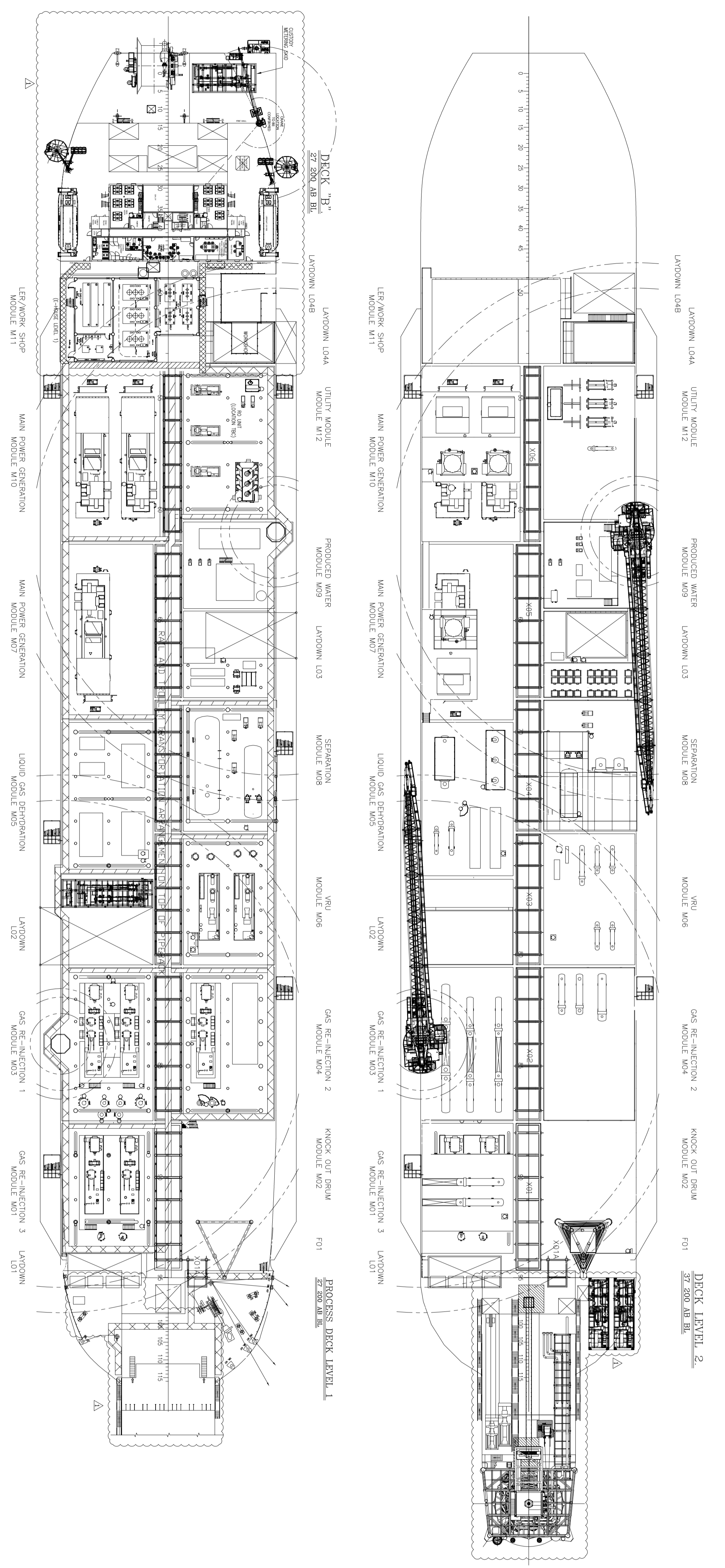
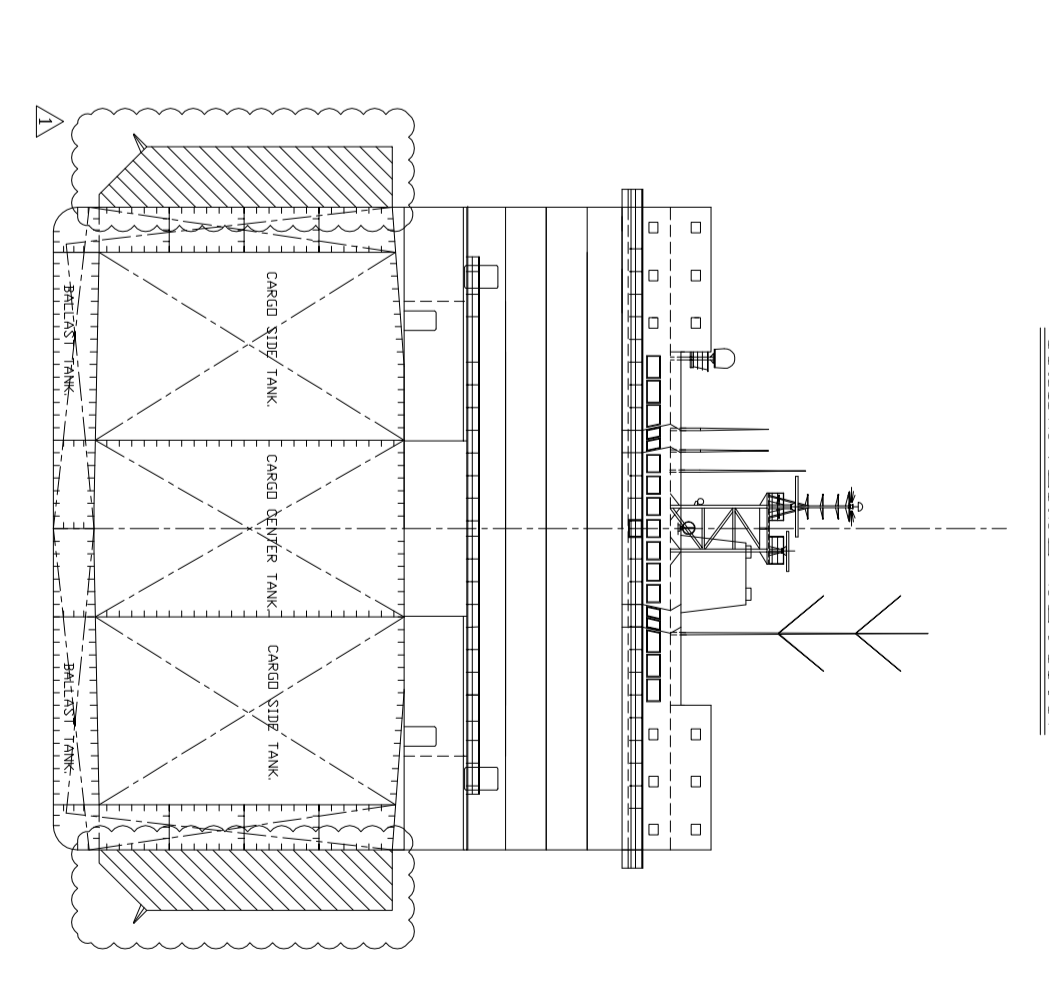
PRINCIPAL PARTICULARS

LENGTH OVERALL	310.77m
LENGTH LBP	297.00m
BREADTH (MAX)	42.50m
D.W.L.	15.50m
COMPENSATION	100 PERSONS

SCALE
1:500



TRANSVERSE SECTION



LIST OF REFERENCED DRAWINGS AND DOCUMENTS USED FOR DRAWINGS

NO.	REF.	DATE	ISSUED FOR	CLASS	BY	CHK'D	APP'D
1	1/03/15	DESIGN PROGRESS AND IFC	JW	CEV			
2	3/07/14	ISSUED FOR CONSTRUCTION	TH	GM			
3	17/11/14	ISSUED FOR INFORMATION	TH	GM			
4	29/11/14	ISSUED FOR INFORMATION	TH	GM			
5	29/11/14	ISSUED FOR INFORMATION	TH	GM			
6	29/11/14	ISSUED FOR INFORMATION	TH	GM			
7	29/11/14	ISSUED FOR INFORMATION	TH	GM			
8	29/11/14	ISSUED FOR INFORMATION	TH	GM			
9	29/11/14	ISSUED FOR INFORMATION	TH	GM			
10	29/11/14	ISSUED FOR INFORMATION	TH	GM			

INTER-DISCIPLINES CHECK

NO.	DATE	DISCIPLINE	STATUS
1	29/11/14	ARCHITECTURE	CHECKED
2	29/11/14	MECHANICAL	CHECKED
3	29/11/14	ELECTRICAL	CHECKED
4	29/11/14	PLUMBING	CHECKED
5	29/11/14	PAINT	CHECKED
6	29/11/14	WELDING	CHECKED
7	29/11/14	STEELWORK	CHECKED
8	29/11/14	STRUCTURAL	CHECKED
9	29/11/14	NAVIGATION	CHECKED
10	29/11/14	ENGINEERING	CHECKED