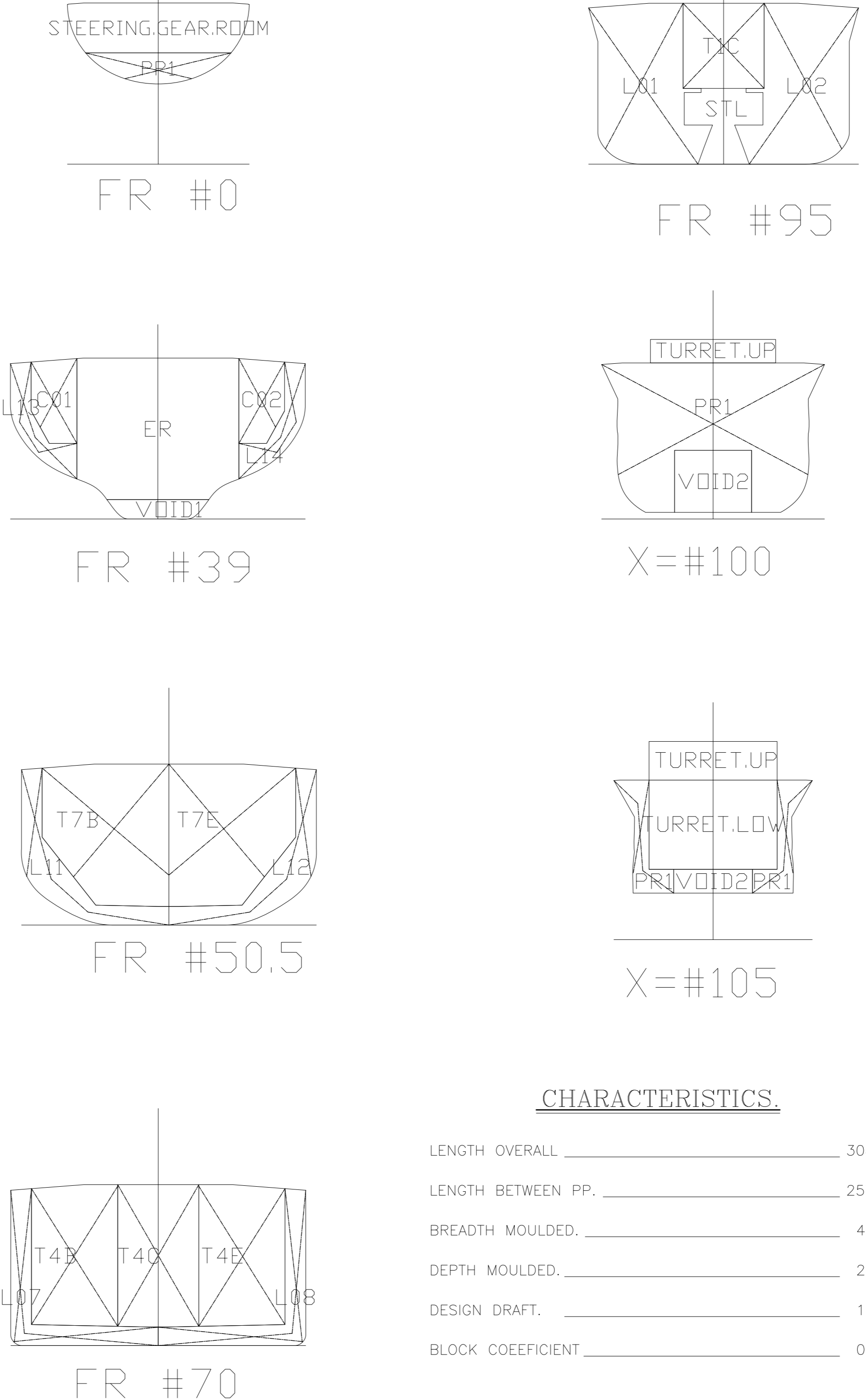


NAME	VOLM m ³	VNET m ³	WLX t	CGX m	CGY m	CGZ m	Y*RHID m	IY/MD tn
CAPACITY OF Liquid cargo (RHD=0.9) (RED=2) (CAP=0.98)								
T1B	6832.6	6696.0	5971.5	218.50	11.60	13.04	3563.2	3670
T1C	7582.6	7430.9	6626.9	220.32	0.00	13.22	3989.2	3677
T1E	6832.6	6696.0	5971.5	218.50	-11.60	13.04	3563.2	3670
T2B	7684.5	7530.8	6716.0	189.07	12.01	12.96	4470.0	4284
T2C	7371.5	7224.0	6442.4	189.07	0.00	12.94	3722.8	3648
T2E	7684.5	7530.8	6716.0	189.07	-12.01	12.96	4470.0	4284
T3B	7684.5	7530.8	6716.0	189.34	12.01	12.96	4470.0	4284
T3C	7371.5	7224.0	6442.4	188.34	0.00	12.94	3722.8	3648
T3E	7684.5	7530.8	6716.0	189.34	-12.01	12.96	4470.0	4284
T4B	7684.5	7530.8	6716.0	189.34	12.01	12.96	4470.0	4284
T4C	7371.5	7224.0	6442.4	187.62	0.00	12.94	3722.8	3648
T4E	7684.5	7530.8	6716.0	187.61	-12.01	12.96	4470.0	4284
T5B	7371.5	7224.0	6442.4	96.89	0.00	12.94	3722.8	3648
T5C	7684.5	7530.8	6716.0	96.89	-12.01	12.96	4470.0	4284
T5E	7371.5	7224.0	6442.4	96.89	0.00	12.94	3722.8	3648
T6B	8954.9	8383.8	7476.7	64.29	11.89	13.17	5108.6	4727
T6C	8424.5	8256.1	7362.7	63.96	0.00	12.94	4254.6	4170
T6E	8954.9	8383.8	7476.7	64.29	-11.89	13.17	5108.6	4727
T7B	1877.3	1839.7	1640.7	43.46	8.45	14.52	2867.3	2040
T7E	1877.3	1839.7	1640.7	43.46	-8.45	14.52	2867.3	2040
SubTOTAL	133813.9	131137.7	116948.6	139.89	-0.69	13.05	77503.4	
CAPACITY OF Chain Locker (RHD=1.025) (RED=0) (CAP=0.95)								
CHAINLKR.P	117.5	117.5	114.4	242.92	7.29	17.25	9.0	9
CHAINLKR.S	117.5	117.5	114.4	242.92	-7.29	17.25	9.0	9
SubTOTAL	235.0	235.0	228.9	242.92	0.00	17.25	18.0	
CAPACITY OF Diesel Oil (RHD=0.86) (RED=2) (CAP=0.98)								
C01	1255.5	1230.4	1037.0	34.48	13.76	16.38	829.8	584
C02	1507.9	1470.7	1238.0	31.25	-13.89	16.88	701.0	584
C03	602.8	590.7	497.9	20.28	13.97	18.72	176.8	69
C04	68.5	67.1	56.6	35.80	8.76	13.55	34.0	33
C05	68.5	67.1	56.6	35.80	-8.76	13.55	34.0	33
C06	91.3	89.5	75.4	33.00	8.76	13.55	45.3	44
C07	91.3	89.5	75.4	33.00	-8.76	13.55	45.3	44
C08	181	178	150	32.20	2.93	6.20	20.9	20
C11	46.8	45.9	38.7	25.45	13.68	13.76	11.9	17
C12	46.8	45.9	38.7	25.45	-13.68	13.76	11.9	17
C13	20.2	19.8	16.7	27.80	10.84	13.45	0.8	1
C15	20.2	19.8	16.7	27.80	-10.84	13.45	0.8	1
SubTOTAL	3938.0	3859.2	3256.6	30.96	0.87	16.58	2121.5	
CAPACITY OF Fresh Water (RHD=1) (RED=2) (CAP=1)								
C31	264.8	259.5	259.5	8.09	10.98	19.65	386.1	412
C32	264.8	259.5	259.5	8.09	-10.98	19.65	386.1	412
C33	28.7	28.1	28.1	8.63	0.00	4.63	5.5	3
SubTOTAL	558.3	547.1	547.1	8.12	0.00	18.85	777.6	
CAPACITY OF Lubricating Oil (RHD=0.9) (RED=2) (CAP=0.98)								
L01	57.4	56.4	49.8	26.60	7.10	13.60	5.6	6
L02	57.4	56.4	49.8	26.60	-7.10	13.60	5.6	6
L03	112.3	110.0	97.1	4.57	-10.16	19.13	10.8	135
SubTOTAL	227.5	222.9	196.6	15.73	-5.01	16.33	132.0	

NAME	VOLM m ³	VNET m ³	WLX t	CGX m	CGY m	CGZ m	Y*RHID m	IY/MD tn
CAPACITY OF Miscellaneous (RHD=1) (RED=2) (CAP=0.98)								
MET.STOR	66.5	65.2	63.9	174.71	20.51	11.39	0.6	1
CAPACITY OF Machinery Sp. (RHD=1) (RED=2) (CAP=1)								
ER	11896.4	11896.4	11896.4	23.31	-0.61	14.75	22614.2	46114
PUMP ROOM	2125.8	2125.8	2125.8	38.28	0.00	7.01	9727.5	2971
STEERING GEAR ROOM	1978.8	1978.8	1978.8	2.42	0.58	19.70	1028.5	19446
VOID1	496.5	496.5	496.5	24.38	-0.14	1.31	1817.2	2816
SubTOTAL	15687.5	15687.5	15687.5	22.74	-0.36	13.90	47987.3	
CAPACITY OF Produced Water (RHD=1) (RED=2) (CAP=0.98)								
T5B	7684.5	7530.8	7380.2	96.89	12.01	12.96	4912.1	4707
CAPACITY OF Void (RHD=1.025) (RED=0) (CAP=0.95)								
COFFERDAMI	34.3	34.3	33.4	244.02	0.00	7.99	20.9	21
SCD	16.3	16.3	15.9	32.21	1.45	3.15	423.1	459
VOID3	66.5	66.5	64.8	174.71	-20.51	11.39	0.6	1
ACT	46.7	46.7	45.5	9.68	0.00	14.56	1.2	1
TURRET UP	5953.0	5953.0	5796.8	266.62	0.00	30.84	18448.0	8681
TURRET LOW	1999.8	1999.8	1947.3	254.12	0.00	18.11	5338.3	3453
ACCESS TRUNK	330.3	330.3	321.6	242.81	0.00	14.76	7.0	62
VOID2	528.4	528.4	514.6	247.12	0.00	6.20	691.0	443
SubTOTAL	8975.4	8975.4	8739.8	259.28	-0.15	25.59	24995.2	
CAPACITY OF Water Ballast (RHD=1.025) (RED=2) (CAP=1)								
L01	6840.7	6703.9	6871.5	228.53	12.85	9.25	6079.2	6580
L02	6840.7	6703.9	6871.5	228.53	-12.85	9.25	6079.2	6580
L03	5924.4	5820.6	5898.6	189.34	15.12	6.93	6122.8	2967
L04	5924.4	5820.6	5898.6	189.34	-15.12	6.93	6122.8	2967
L05	3653.4	3580.4	3669.9	158.35	15.21	7.01	2743.0	3241
L06	3653.4	3580.4	3669.9	158.35	-15.21	7.01	2743.0	3241
L07	3648.0	3575.0	3644.4	127.62	15.20	7.01	2991.0	3232
L08	3648.0	3575.0	3644.4	127.62	-15.20	7.01	2991.0	3232
L09	3642.5	3569.6	3658.8	96.89	-15.19	7.00	3246.5	3223
L10	3642.5	3569.6	3658.8	96.89	15.19	7.00	3246.5	3223
L11	4898.9	4761.7	4880.7	61.10	15.19	7.42	1064.1	4014
L12	4898.9	4761.7	4880.7	61.10	-15.19	7.42	1064.1	4014
L13	1689.7	1655.9	1697.3	27.33	16.95	14.17	698.4	330
L14	1522.5	1472.9	1509.3	29.04	-16.85	13.38	764.8	281
L15	1522.4	1502.9	1532.9	4.42	0.00	13.79	1162.4	6555
PR1	2656.6	2603.4	2668.5	247.09	0.00	14.21	9826.9	6275
SubTOTAL	59547.8	58356.8	59815.7	144.86	0.06	8.40	66945.8	
TOTAL	230734.4	226617.7	212860.8	134.24	0.00	12.48	225393.6	

NAME - name of compartment
 DES - compartment describe
 VOLM - volume moulded
 VNET - net volume
 WLX - maximum load
 CGX - longitudinal center of gravity of volume
 CGY - transversal center of gravity of volume
 CGZ - vertical center of gravity of volume
 RED - reduction
 CAP - filling capacity



CHARACTERISTICS.	
LENGTH OVERALL	308.20 M.
LENGTH BETWEEN PP.	257.00 M.
BREADTH MOULDED.	42.50 M.
DEPTH MOULDED.	22.40 M.
DESIGN DRAFT.	15.50 M.
BLOCK COEFFICIENT	0.873

NAME	VOLM m ³	VNET m ³	WLX t	CGX m	CGY m	CGZ m	Y*RHID m	IY/MD tn
SPECIFICATION CODE XXXXXXXX								
CAPACITY OF Miscellaneous (RHD=1) (RED=2) (CAP=0.98)								
MET.STOR	66.5	65.2	63.9	174.71	20.51	11.39	0.6	1
CAPACITY OF Machinery Sp. (RHD=1) (RED=2) (CAP=1)								
ER	11896.4	11896.4	11896.4	23.31	-0.61	14.75	22614.2	46114
PUMP ROOM	2125.8	2125.8	2125.8	38.28	0.00	7.01	9727.5	2971
STEERING GEAR ROOM	1978.8	1978.8	1978.8	2.42	0.58	19.70	1028.5	19446
VOID1	496.5	496.5	496.5	24.38	-0.14	1.31	1817.2	2816
SubTOTAL	15687.5	15687.5	15687.5	22.74	-0.36	13.90	47987.3	
CAPACITY OF Produced Water (RHD=1) (RED=2) (CAP=0.98)								
T5B	7684.5	7530.8	7380.2	96.89	12.01	12.96	4912.1	4707
CAPACITY OF Void (RHD=1.025) (RED=0) (CAP=0.95)								
COFFERDAMI	34.3	34.3	33.4	244.02	0.00	7.99	20.9	21
SCD	16.3	16.3	15.9	32.21	1.45	3.15	423.1	459
VOID3	66.5	66.5	64.8	174.71	-20.51	11.39	0.6	1
ACT	46.7	46.7	45.5	9.68	0.00	14.56	1.2	1
TURRET UP	5953.0	5953.0	5796.8	266.62	0.00	30.84	18448.0	8681
TURRET LOW	1999.8	1999.8	1947.3	254.12	0.00	18.11	5338.3	3453
ACCESS TRUNK	330.3	330.3	321.6	242.81	0.00	14.76	7.0	62
VOID2	528.4	528.4	514.6	247.12	0.00	6.20	691.0	443
SubTOTAL	8975.4	8975.4	8739.8	259.28	-0.15	25.59	24995.2	
CAPACITY OF Water Ballast (RHD=1.025) (RED=2) (CAP=1)								
L01	6840.7	6703.9	6871.5	228.53	12.85	9.25	6079.2	6580
L02	6840.7	6703.9	6871.5	228.53	-12.85	9.25	6079.2	6580
L03	5924.4	5820.6	5898.6	189.34	15.12	6.93	6122.8	2967
L04	5924.4	5820.6	5898.6	189.34	-15.12	6.93	6122.8	2967
L05	3653.4	3580.4	3669.9	158.35	15.21	7.01	2743.0	3241
L06	3653.4	3580.4	3669.9	158.35	-15.21	7.01	2743.0	3241
L07	3648.0	3575.0	3644.4	127.62	15.20	7.01	2991.0	3232
L08	3648.0	3575.0	3644.4	127.62	-15.20	7.01	2991.0	3232
L09	3642.5	3569.6	3658.8	96.89	-15.19	7.00	3246.5	3223
L10	3642.5							