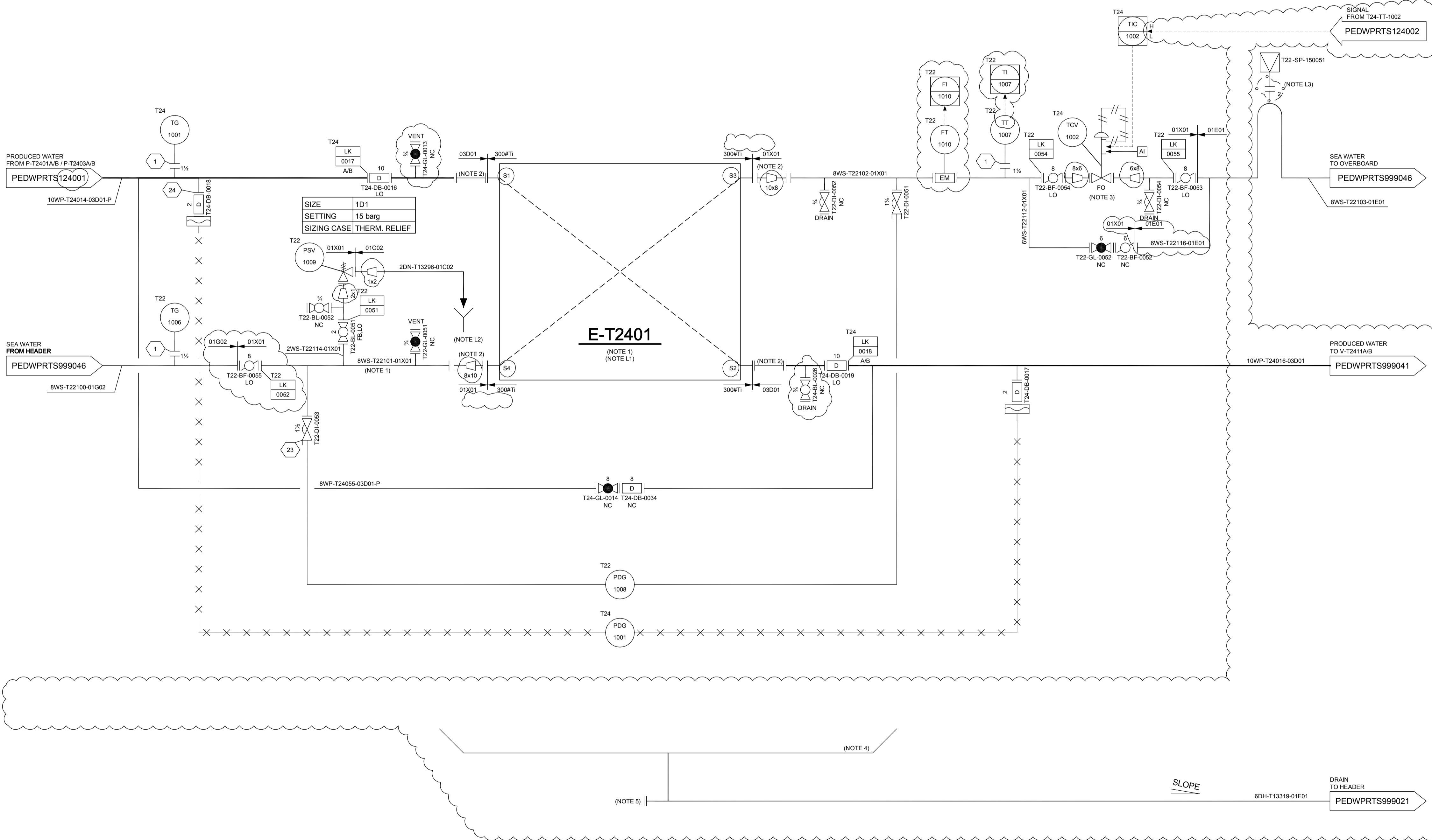


PRODUCED WATER COOLER (1x100%)		
TAG	E-T2401	
DESIGN DUTY (kW)	8659	
	HOT SIDE	COLD SIDE
DESIGN PRESSURE [bar(g)]	30	15
DESIGN TEMPERATURE (°C)	105	105
OPERATING PRESSURE [bar(g)]	20.5	5
OPERATING TEMPERATURE (°C)	87.5 (40)	26 (37)
MOC	TITANIUM	TITANIUM



GENERAL NOTES	
ID	DESCRIPTION
1	HEAT EXCHANGER SHALL BE DRAINED IMMEDIATELY UPON BLOCK-IN TO AVOID OVERPRESSURIZATION DUE TO THERMAL EXPANSION
2	REMOVABLE SPOOL
3	MECHANICAL MINIMUM STOP TO BE PROVIDED AT 10% OF CALCULATED CV
4	DRIP PAN SIZED FOR 120% OF EQUIPMENT SURFACE
5	RODDING POINT

LAYOUT NOTES	
ID	DESCRIPTION
L1	LOCATION OF NOZZLES IS SCHEMATIC. FOR EXACT LOCATION REFER TO G.A. DRAWING
L2	TO NEAREST GUTTER
L3	TOP OF LOOP TO BE MINIMUM 1 METER ABOVE THE HIGHEST POINT IN THE SEAWATER SYSTEM

REFERENCE DOCUMENTS		
ID	SBM DOC. NUMBER	DESCRIPTION
1	PEDWPRPG999003	FPSO - PIPING LEGEND - P&ID
2	PEDWPRPG999004	FPSO - PIPING IDENTIFICATION LEGEND - P&ID
3	PEDWPRPG999005	FPSO - INSTRUMENTATION LEGEND - P&ID
4	PEDWPRPG999006	FPSO - EQUIPMENT LEGEND - P&ID
5	PEDWPRPG999007	FPSO - TYPICAL DETAILS - P&ID 1
6	PEDWPRPG999008	FPSO - TYPICAL DETAILS - P&ID 2
7	PEDWPRPG999009	FPSO - TYPICAL DETAILS - P&ID 3
8	PESDPITS999120	TOPSIDES - PIPING DETAIL - SPECIFICATION

LEGEND	
	CLOUD INDICATING ITEM ON HOLD
	CLOUD INDICATING CHANGES FROM PREVIOUS REVISION

HOLDS	
ID	DESCRIPTION
1	DELETED
2	DELETED
3	DELETED
4	DELETED
5	VACUUM BREAKER SIZE PENDING VENDOR CONFIRMATION

TS062

V1	26-JUN-12	VALID FOR CONSTRUCTION	Jao	Way	Vra	Wih
C1	24-FEB-12	FOR COMMENTS AND APPROVAL	Roa	Way	Vra	Cem
I1	10-JAN-12	INTER DISCIPLINE CHECK	Soa	Way	Vra	Cem

Revision	Date (dd-MMM-yy)	Description of revision	Prepared by	Engineering checked by	Approved by LE	Approved by EPM

SBM OFFSHORE Engineering Subcontractor to SINGLE BODY OPERATOR INC. P.O. Box 152, 5, route des Fécapiés, CH-1723 Mably, Switzerland. Tel: +41 26 439 99 20 Fax: +41 26 439 99 39

© Copyright SBM Offshore N.V. 2012. Copyright by SBM Offshore N.V. or any of its subsidiaries. This document is the property of SBM Offshore N.V. or any of its subsidiaries. This document or any part thereof is CONFIDENTIAL and may not be made known, copied, published, or used in any other way without the permission of SBM Offshore N.V. or any of its subsidiaries.

**PETROBRAS NETHERLANDS B.V.**

Client: **PETROBRAS NETHERLANDS BV**

Project: **FPSO CIDADE DE ILHABELA**

Title: **TOPSIDES PRODUCED WATER COOLER P&ID**

Format	Projection Method	Scale	Project Number	Document Number	Sheet No./Sheets	Revision
A1		N.T.S.	HI 39520	PEDWPRTS124006	1 / 1	V1