

ELEVATION
EAST VIEW

REFERENCE DOCUMENTS

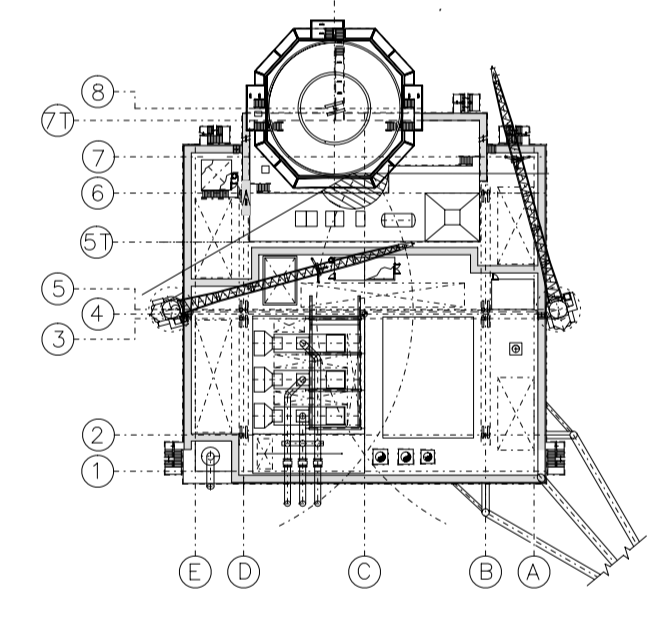
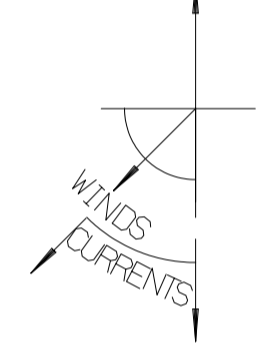
- 1 - EQUIPMENT LIST.
LI-3926.01-1200-940-PPC-001

GENERAL NOTES

- 1 - ALL DIMENSIONS ARE SHOWN IN MILLIMETERS UNLESS OTHERWISE NOTED.
- 2 - EQUIPMENT DIMENSIONS ARE PRELIMINARY AND SHALL BE MODIFIED ACCORDING TO THE SUPPLIERS CERTIFIED DRAWINGS.

KEY PLAN

PROJECT NORTH
TRUE NORTH



KEY PLAN

0	ORIGINAL	26/AUG/05	PRSANT,TKP	PMR,TKP	RBMAC
---	----------	-----------	------------	---------	-------

THE DATA, OR PART THEREOF ARE PETROBRAS PROPERTY AND THUS MUST NOT BE USED IN ANY WAY WITHOUT PERMISSION

MICROSTATION/VI-DE-3926.01-1200-942-PPC-007_0.DGN

BR PETRÓLEO BRASILEIRO S.A.
PETROBRAS

CENPES

CLIENT OR USER
UN-RIO / IPGBS

JOB OR PROJECT
MEXILHÃO FIELD DEVELOPMENT

AREA OR UNIT
PLATFORM OF MEXILHÃO 1 (PMXL-1)

TITLE
GENERAL ARRANGEMENT
ELEVATION

DESIGN	CENPES	DRAWN	PRSANT,TKP	CHECK	PMR,TKP	APPROVAL	RBMAC
SCALE	1:200	SIZE	A1: 841x594	CC	392604700	SHEET	1 of 1
DATE	26/AUG/05	NO.	I-DE-3926.01-1200-942-PPC-007				