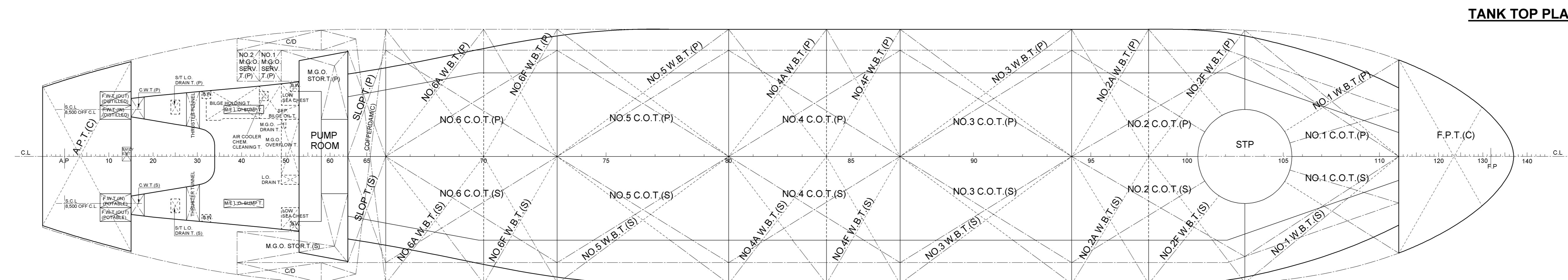
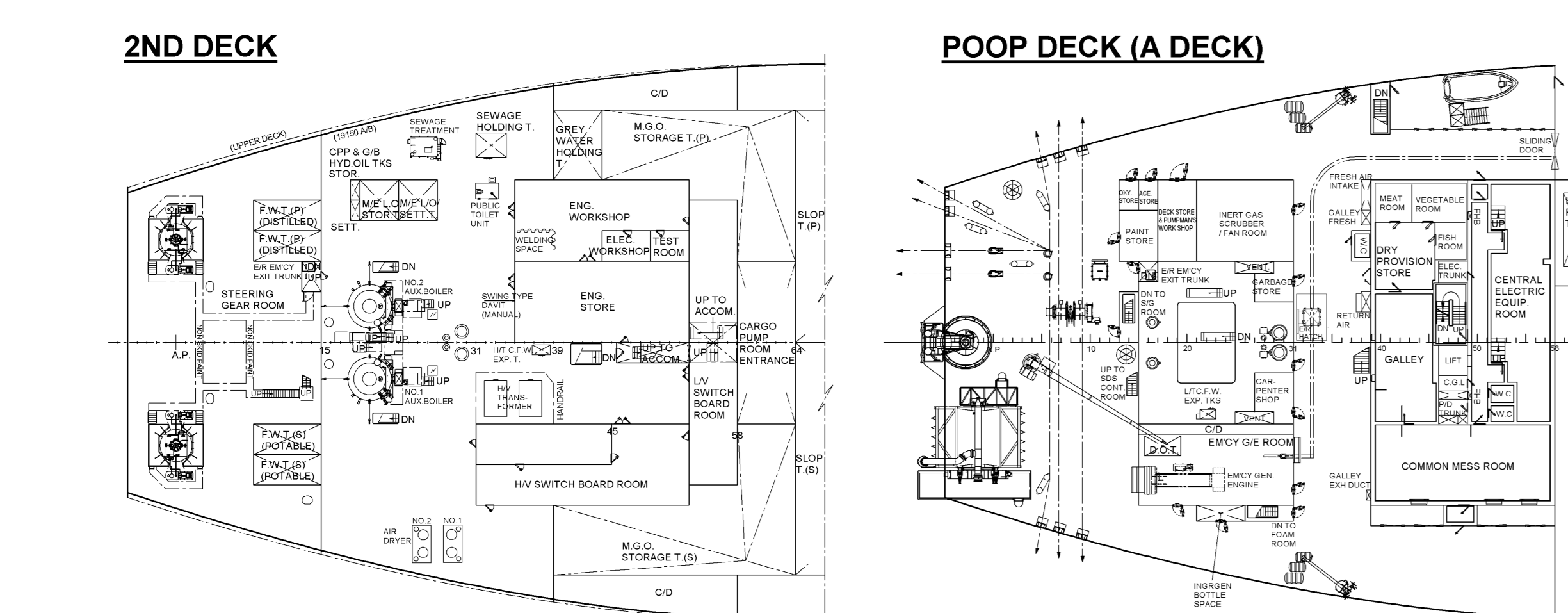
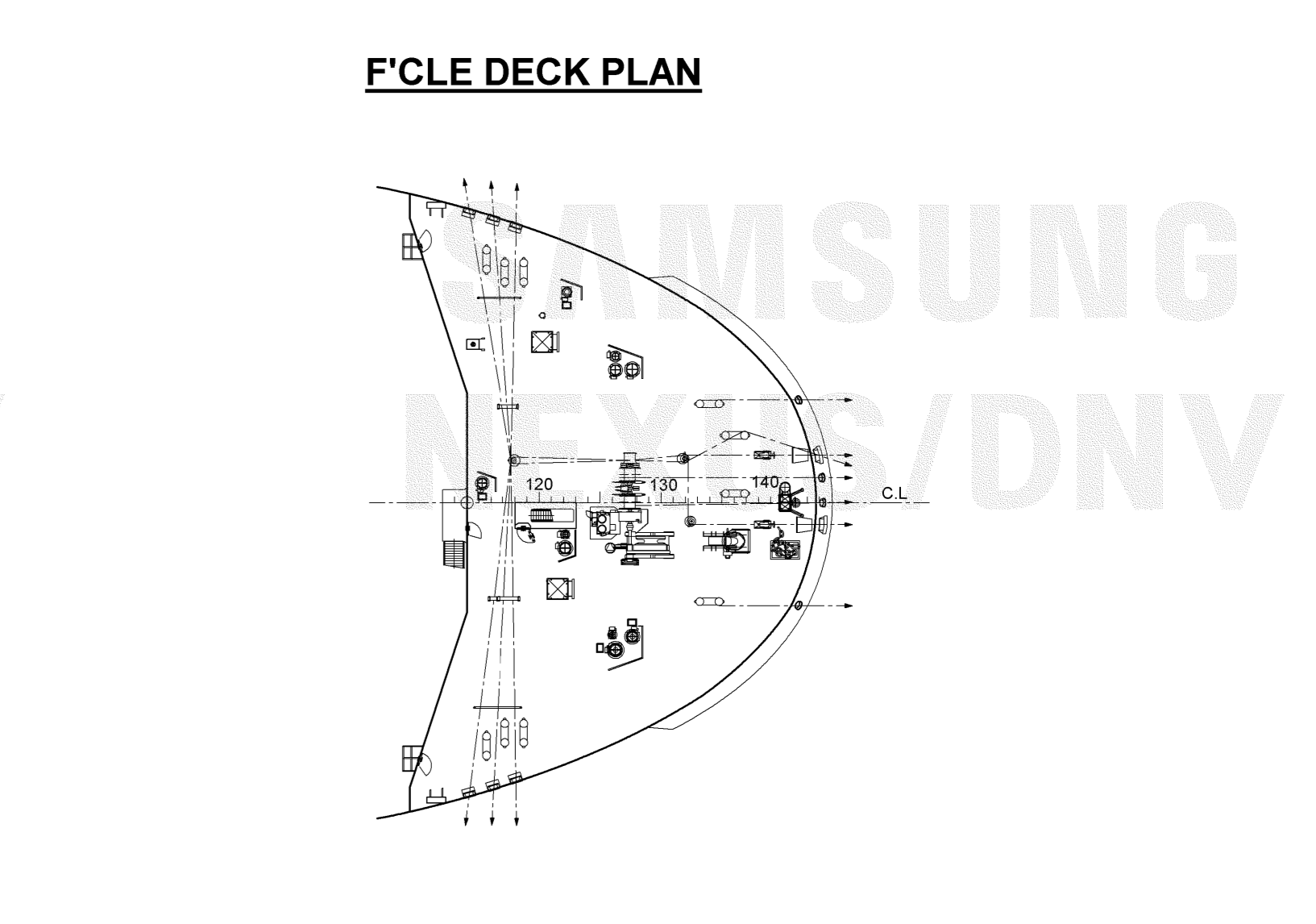
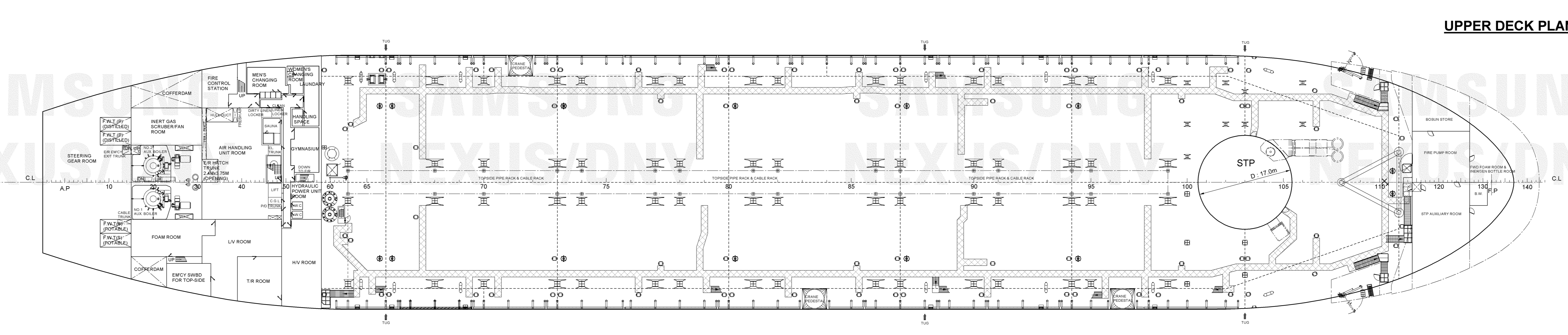
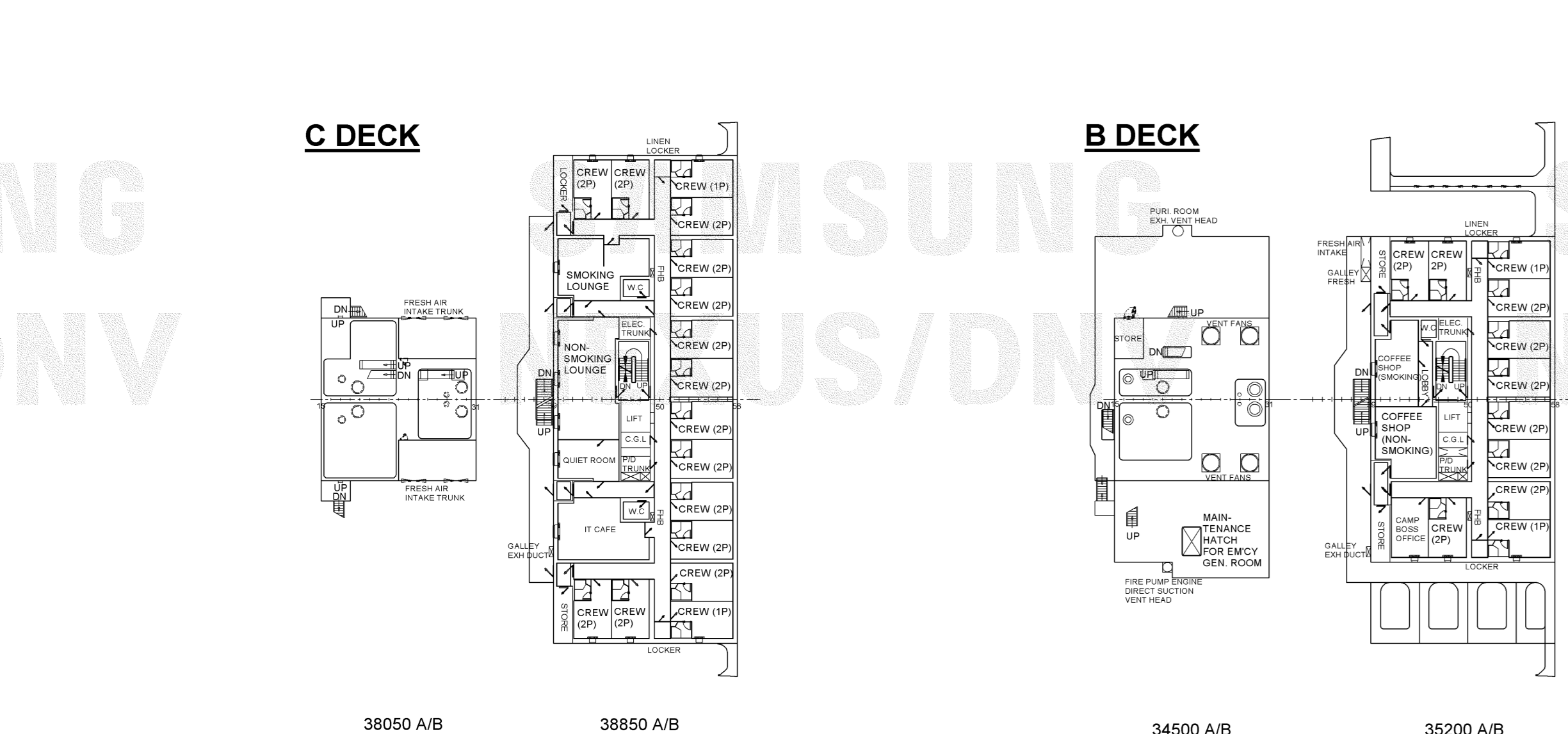
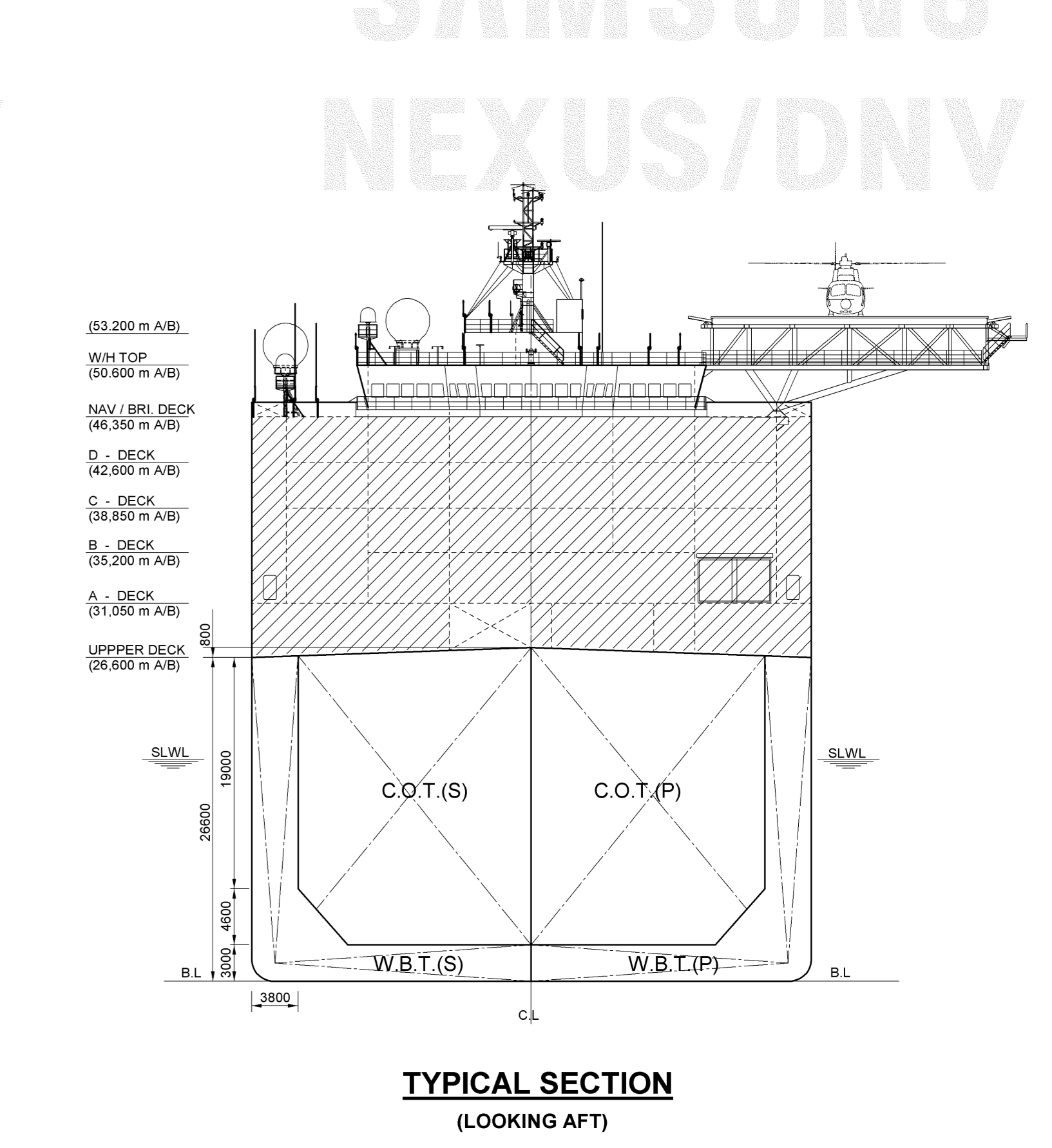
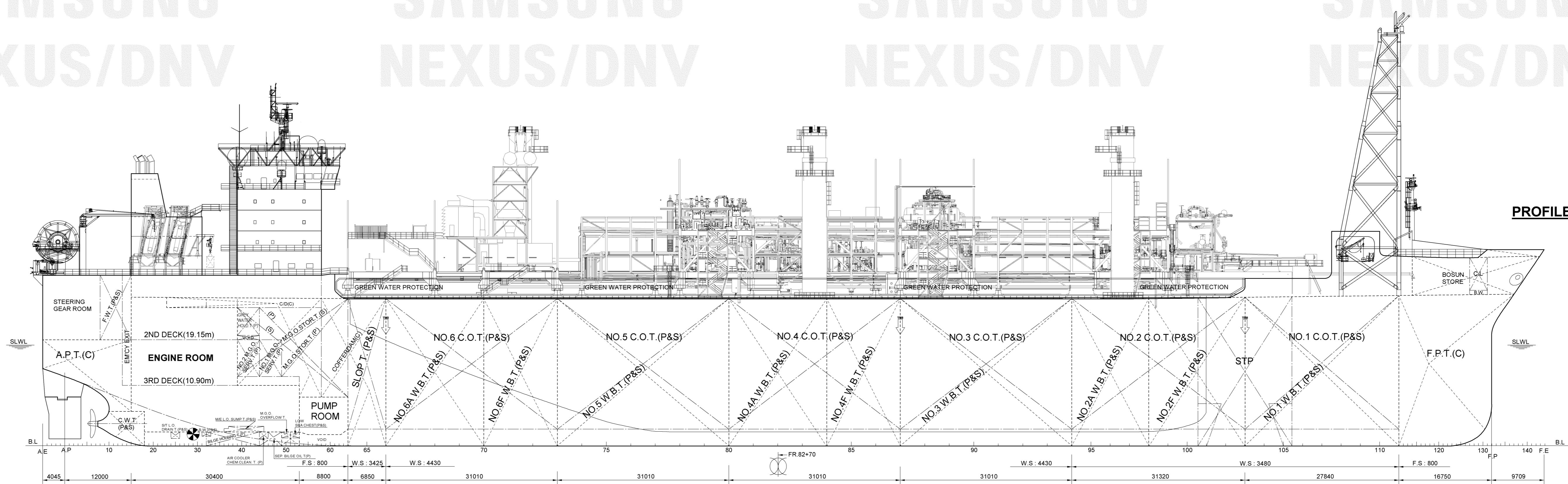
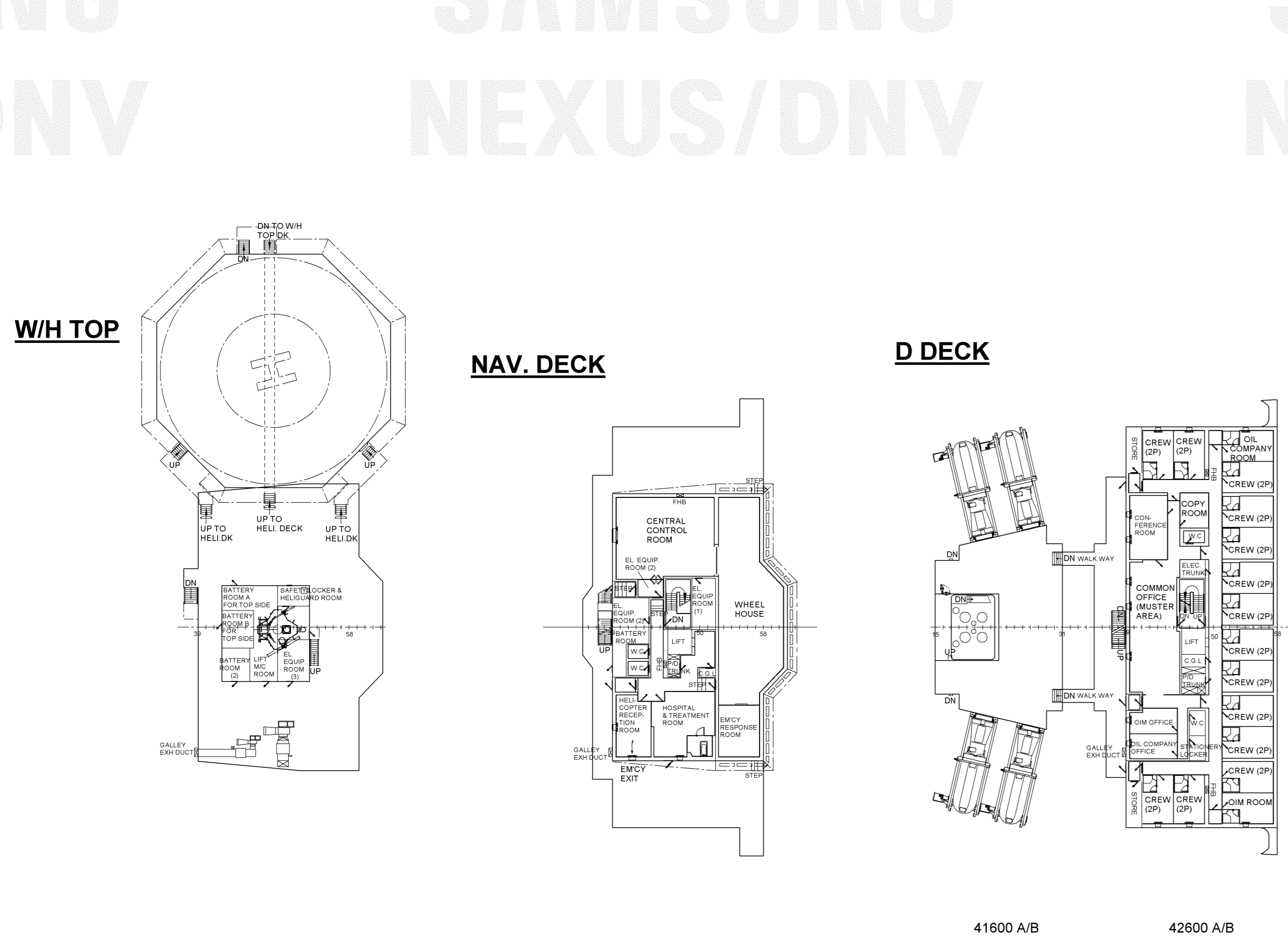


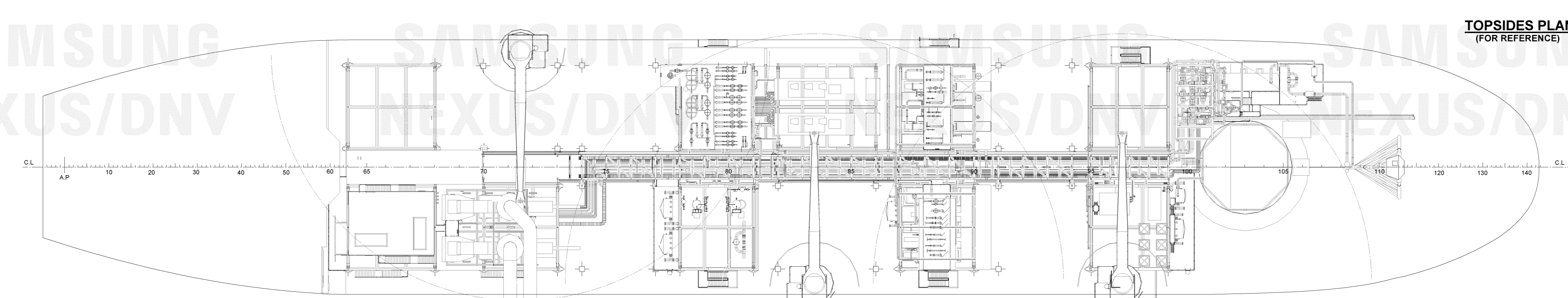
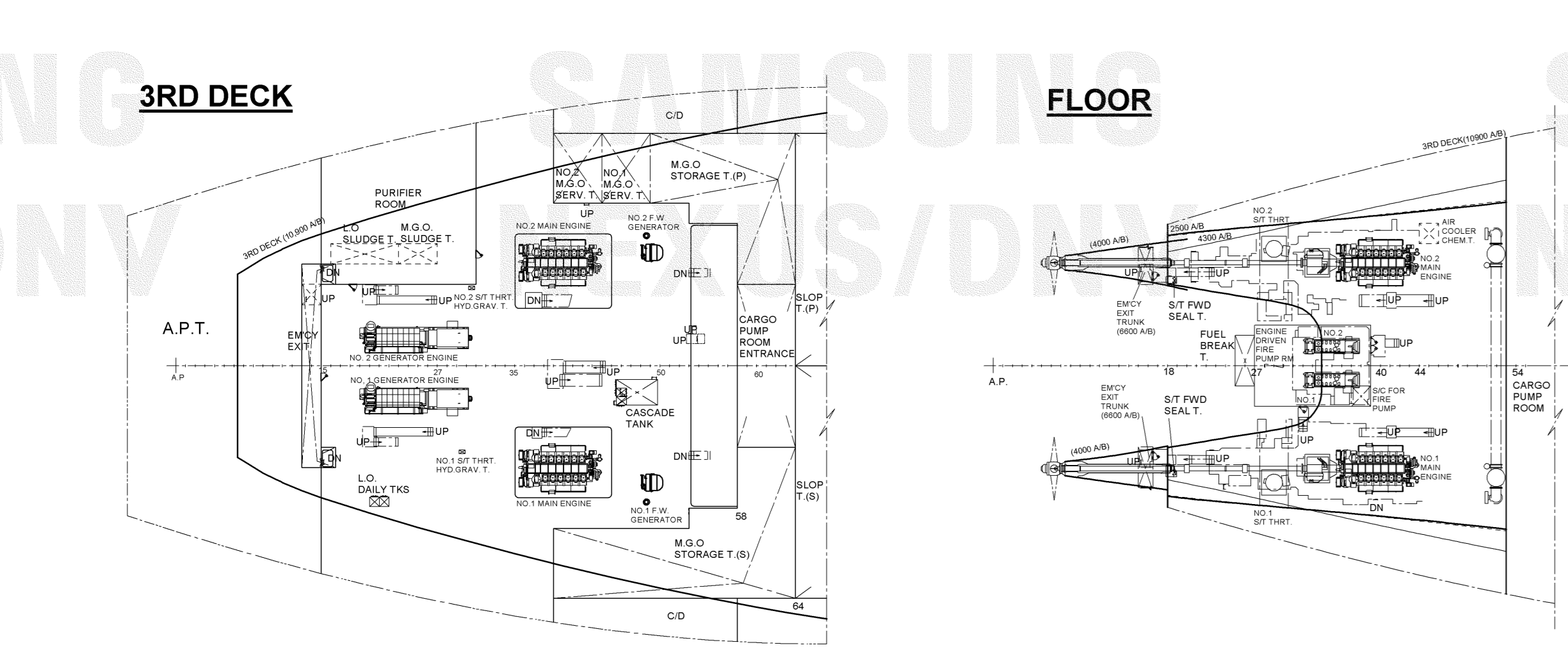
# GENERAL ARRANGEMENT

PLAN HISTORY					
Rev	Date	Reason for issue	Prepared by	Checked by	Approved by
-	11 June 2007	Prepared by General Design	K.B.Chung	D.Y.Kang	W.H.Cho
A	24 Dec. 2008	Updated by General Design	K.Y.Shin	D.Y.Kang	W.H.Cho



**PRINCIPAL DIMENSIONS**

LENGTH O. A.	271.754 m
LENGTH B. P.	258.0 m
BREADTH (MOULDED)	46.0 m
DEPTH (MOULDED)	26.6 m
DESIGNED DRAUGHT (MOULDED)	18.2 m
SCANTLING DRAUGHT (MOULDED)	18.2 m



Registration : NIS		1716	9399832
This document is the property of SAMSUNG HEAVY IND. CO., LTD. and must in no case wholly or partially be copied, shown or given to the third party without SAMSUNG's consent.		Hull No.	IMO No.
Department : 220	General design	Ship Type :	950,000 bbls FPSO
Hull No. : 1716		Ship Name :	NEXUS 1
Class : DNV		Document Title :	GENERAL ARRANGEMENT
Approved by : W. H. Cho		Buyer's Document No. :	NEX1-SHI-ZD-00-0001
Checked by : D. Y. Kang		Rev. No. :	A
Prepared by : K. Y. Shin (T.6430)		Scale :	1/400
SAMSUNG HEAVY IND. CO., LTD.	GEUJE SHIPYARD, KOREA	Unit :	mm
		Consolidated No. :	GY-04