

CAPACITY PLAN WITH DWT SCALE

SUMMARY TABLE FOR TANK CAPACITY

COMPARTMENT	LOCATION (FR. NO.)	CAPACITIES		98% FULL		MAX. WT OF INERTIA (MT)
		VOLUME 100% FULL (m³)	WEIGHT 100% FULL (MT)	VOLUME 98% FULL (m³)	WEIGHT 98% FULL (MT)	
NO.1 C.O.T. (P)	103 - 111	7230.1	7994.3	227.100	15.214	5788
NO.2 C.O.T. (S)	103 - 111	7230.1	7994.3	227.100	15.214	5788
NO.3 C.O.T. (P)	94 - 103	12702.6	12488.6	106.413	15.029	15789
NO.4 C.O.T. (S)	94 - 103	12702.6	12488.6	106.413	15.029	15789
NO.5 C.O.T. (P)	87 - 94	13974.6	13995.1	106.585	15.014	18208
NO.6 C.O.T. (S)	87 - 94	13974.6	13995.1	106.585	15.014	18208
NO.7 C.O.T. (P)	80 - 87	13974.6	13995.1	135.575	15.014	18208
NO.8 C.O.T. (S)	80 - 87	13974.6	13995.1	135.575	15.014	18208
NO.9 C.O.T. (P)	73 - 80	13974.6	13995.1	104.565	15.014	18208
NO.10 C.O.T. (S)	73 - 80	13974.6	13995.1	104.565	15.014	18208
NO.11 C.O.T. (P)	66 - 73	13840.0	13583.2	73.650	15.107	18208
NO.12 C.O.T. (S)	66 - 73	13840.0	13583.2	73.650	15.107	18208
SLOP T. (P)	61 - 66	2919.9	2861.5	54.641	15.528	4022
SLOP T. (S)	61 - 66	2919.9	2861.5	54.641	15.528	4022
SUB TOTAL		167250.6	164106.8			

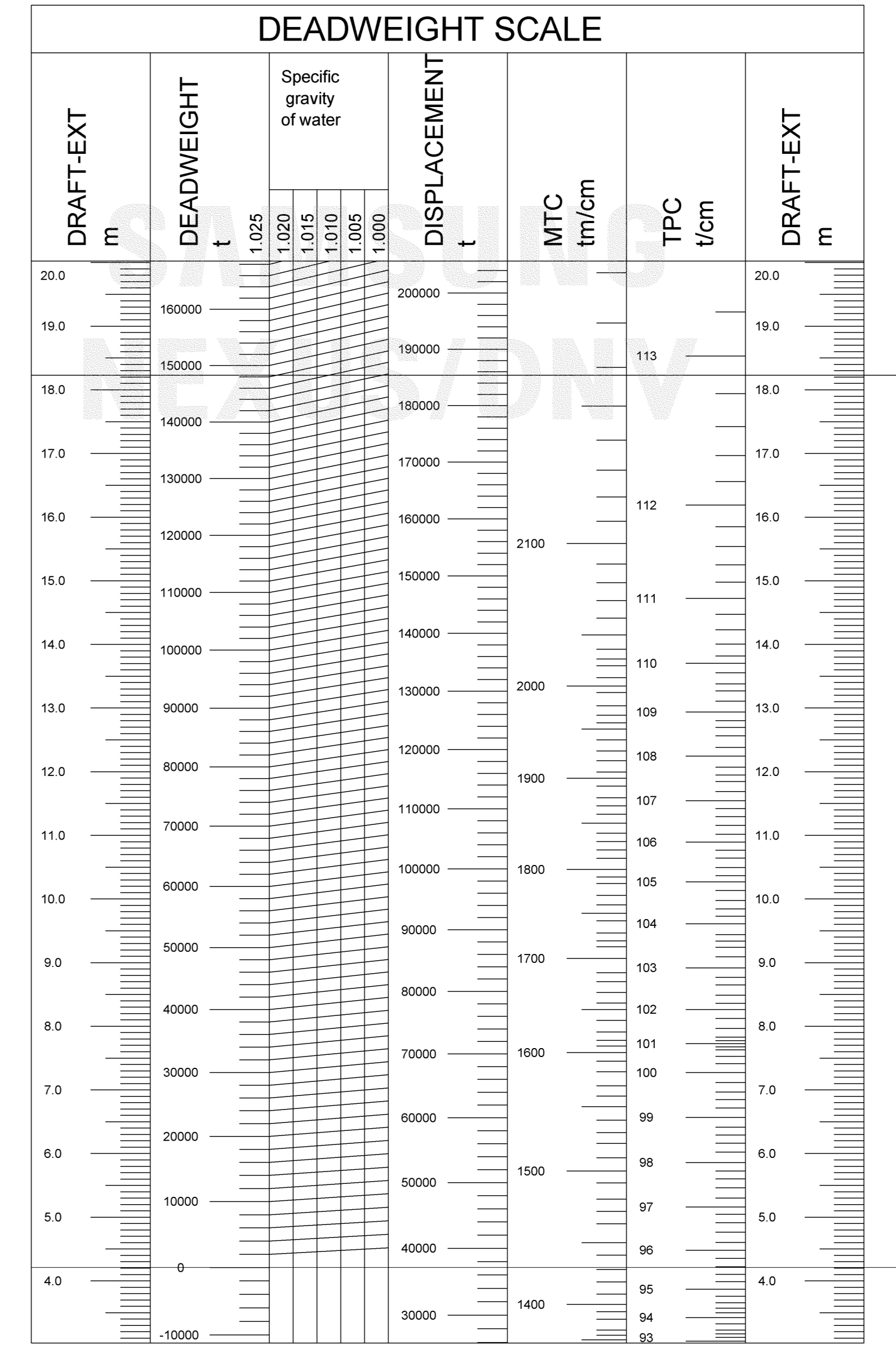
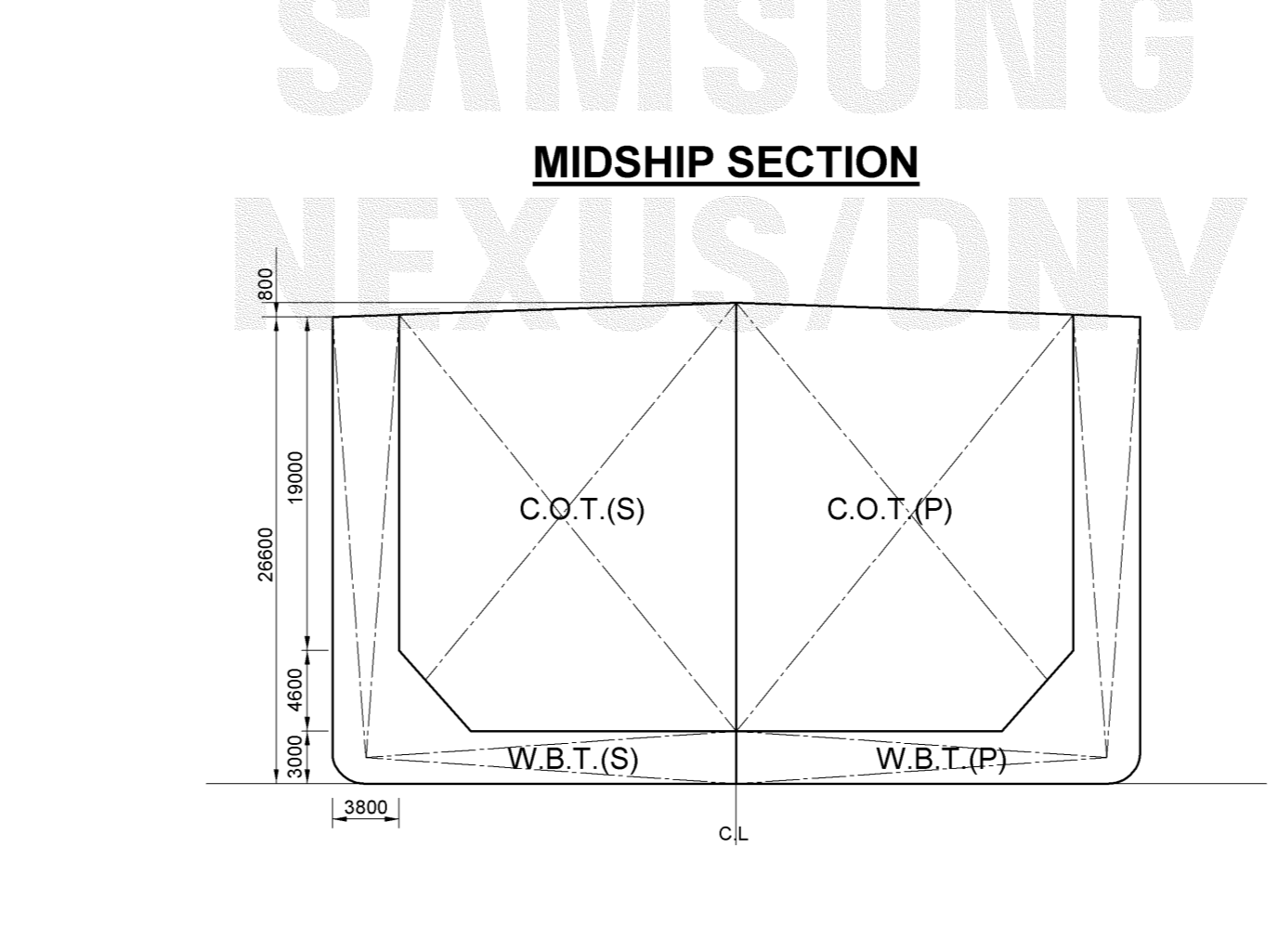
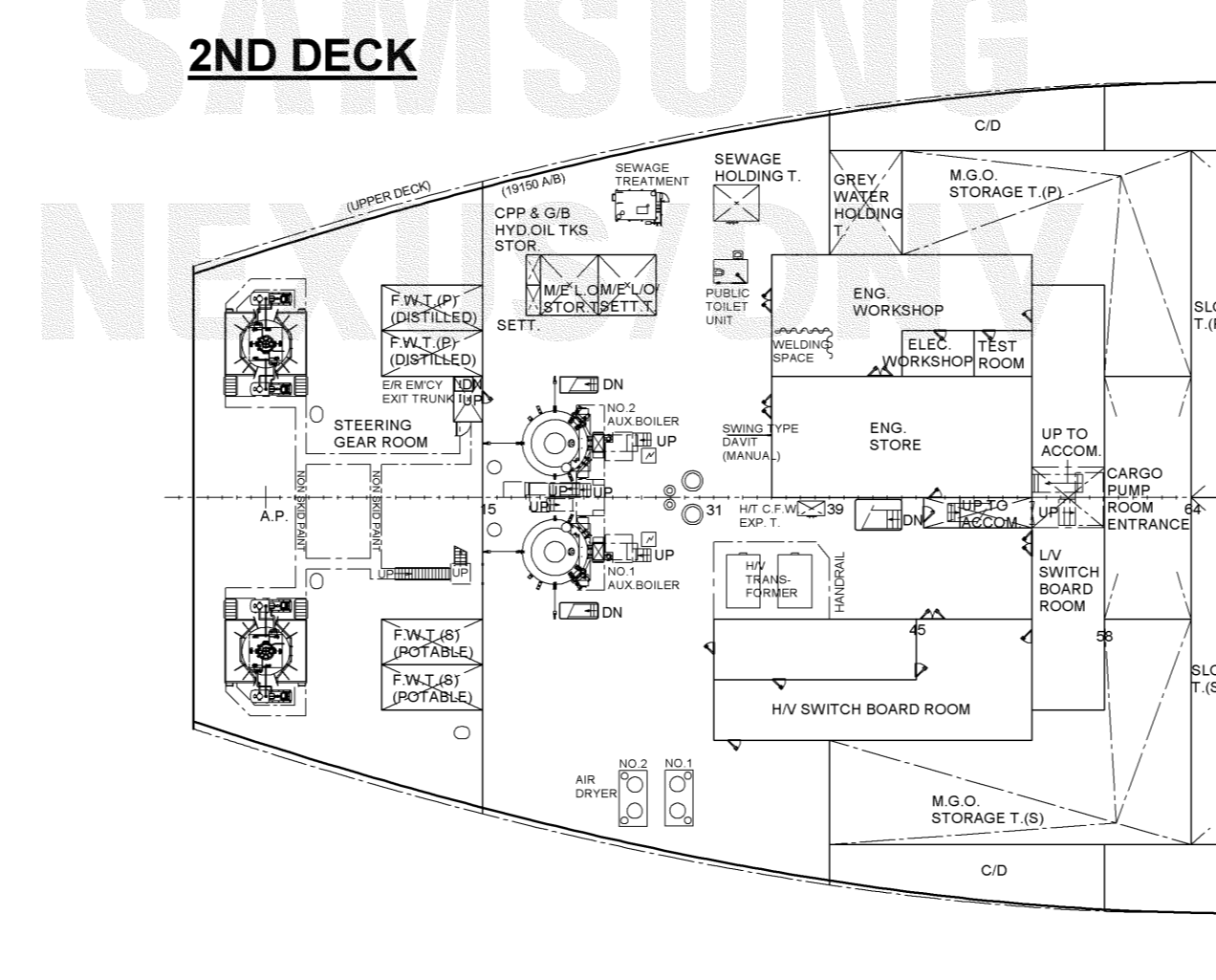
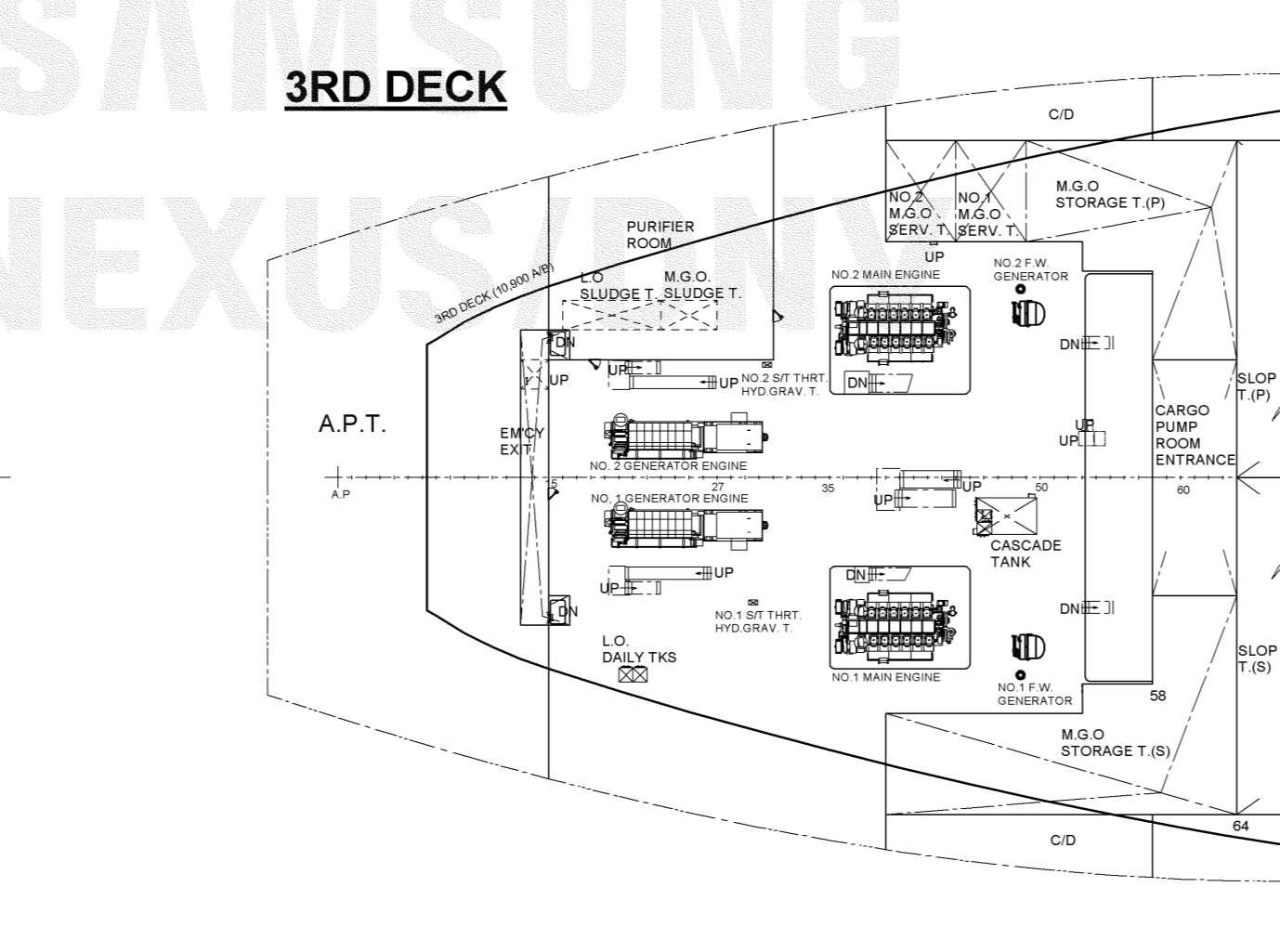
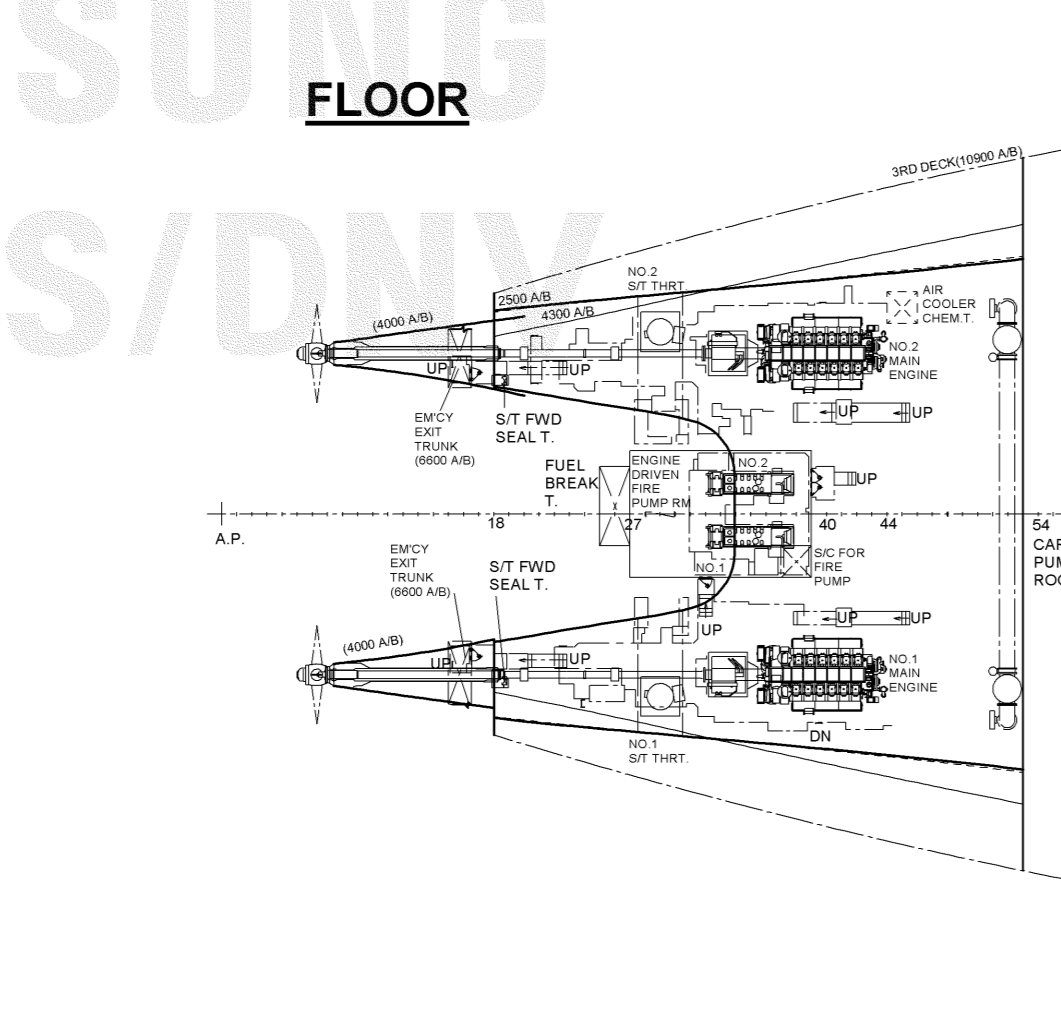
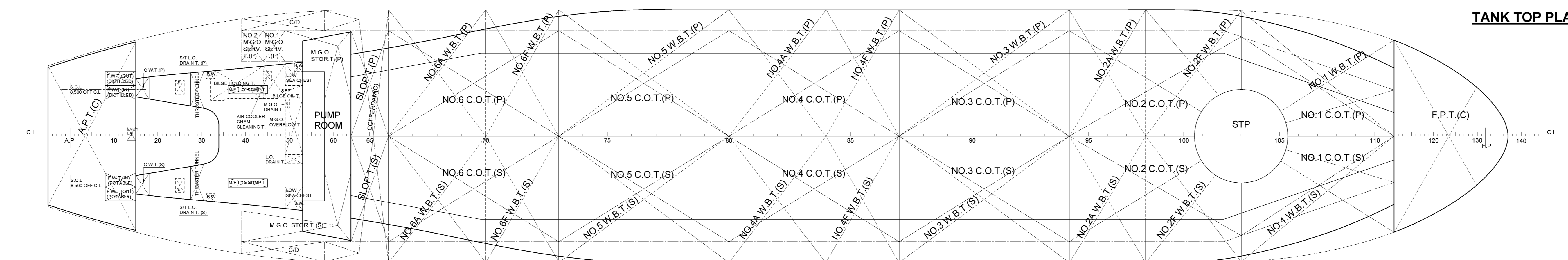
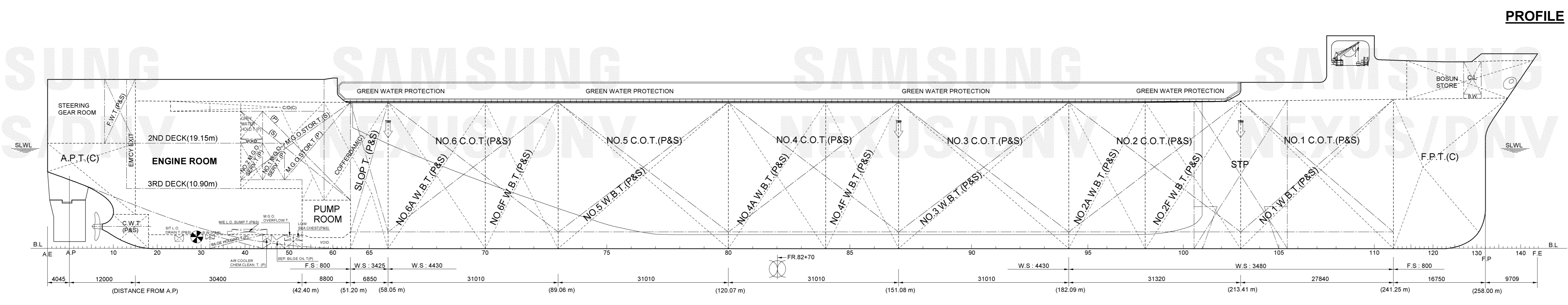
COMPARTMENT	LOCATION (FR. NO.)	CAPACITIES		100% FULL		MAX. WT OF INERTIA (MT)
		VOLUME 100% FULL (m³)	WEIGHT 100% FULL (MT)	VOLUME 100% FULL (m³)	WEIGHT 100% FULL (MT)	
F.P.T. (C)	111 - 137	8629.7	8845.4	247.908	15.083	28307
NO.1 W.B.T. (P)	103 - 111	5857.1	6003.5	228.003	12.188	12014
NO.2 W.B.T. (S)	103 - 111	5857.1	6003.5	228.003	12.188	12014
NO.3 W.B.T. (P)	98 - 103	2078.1	2745.0	204.407	9.507	12501
NO.4 W.B.T. (S)	98 - 103	2078.1	2745.0	204.407	9.507	12501
NO.5 W.B.T. (P)	94 - 98	2289.3	2346.5	189.050	8.859	13962
NO.6 W.B.T. (S)	94 - 98	2289.3	2346.5	189.050	8.859	13962
NO.7 W.B.T. (P)	87 - 94	5100.1	5227.6	166.585	8.859	30970
NO.8 W.B.T. (S)	87 - 94	5100.1	5227.6	166.585	8.859	30970
NO.9 W.B.T. (P)	84 - 87	2185.8	2240.4	144.435	8.859	13273
NO.10 W.B.T. (S)	84 - 87	2185.8	2240.4	144.435	8.859	13273
NO.11 W.B.T. (P)	80 - 84	2914.4	2987.2	128.300	8.859	17697
NO.12 W.B.T. (S)	80 - 84	2914.4	2987.2	128.300	8.859	17697
NO.13 W.B.T. (P)	73 - 80	5052.0	5178.3	104.666	8.909	30285
NO.14 W.B.T. (S)	73 - 80	5052.0	5178.3	104.666	8.909	30285
NO.15 W.B.T. (P)	70 - 73	1986.4	2036.0	82.537	9.513	9676
NO.16 W.B.T. (S)	70 - 73	1986.4	2036.0	82.537	9.513	9676
NO.17 W.B.T. (P)	66 - 70	2332.8	2401.4	67.962	10.246	8283
NO.18 W.B.T. (S)	66 - 70	2332.8	2401.4	67.962	10.246	8283
A.P.T. (C)	- 5	3078.2	3102.1	5.141	15.275	33175
SUB TOTAL		72516.9				

COMPARTMENT	LOCATION (FR. NO.)	CAPACITIES		100% FULL		MAX. WT OF INERTIA (MT)
		VOLUME 100% FULL (m³)	WEIGHT 100% FULL (MT)	VOLUME 100% FULL (m³)	WEIGHT 100% FULL (MT)	
F.W.T. (DIST.) (P, O, UT)	8 - 15	165.4	165.4	9.200	25.100	7
F.W.T. (PVT.) (S, UT)	8 - 15	165.4	165.4	9.200	25.100	7
F.W.T. (DIST.) (S, IN)	8 - 15	165.4	165.4	9.200	25.100	7
F.W.T. (PVT.) (S, IN)	8 - 15	163.0	163.0	9.177	25.022	7
SUB TOTAL		639.2				

COMPARTMENT	LOCATION (FR. NO.)	CAPACITIES		98% FULL		MAX. WT OF INERTIA (MT)
		VOLUME 100% FULL (m³)	WEIGHT 100% FULL (MT)	VOLUME 98% FULL (m³)	WEIGHT 98% FULL (MT)	
M.O. STOR. T. (P)	44 - 64	1834.2	1797.6	1617.8	45.803	18.261
M.O. STOR. T. (S)	39 - 64	2238.5	2193.7	1974.4	45.800	18.192
M.O. SERV. T. (P)	44 - 64	141.8	139.0	125.1	37.226	15.847
M.O. SERV. T. (S)	39 - 44	129.7	127.1	114.4	33.235	16.036
SUB TOTAL		4344.2	4257.4			

COMPARTMENT	LOCATION (FR. NO.)	CAPACITIES		98% FULL		MAX. WT OF INERTIA (MT)
		VOLUME 100% FULL (m³)	WEIGHT 100% FULL (MT)	VOLUME 98% FULL (m³)	WEIGHT 98% FULL (MT)	
M/E L.O. SUMP T. (P)	36 - 45	10.2	10.0	9.0	32.544	2.976
M/E L.O. SUMP T. (S)	36 - 45	10.2	10.0	9.0	32.544	2.976
M/E L.O. SETT. (P)	22 - 27	34.7	34.0	30.6	20.000	21.774
M/E L.O. STOR. T. (P)	19 - 23	34.7	34.0	30.6	16.800	21.774
M/O. OIL SETT. (P)	18 - 19	4.6	4.5	4.0	14.800	21.690
M/O. OIL STOR. T. (P)	18 - 19	4.1	4.0	3.6	14.800	21.867
SUB TOTAL		98.5	96.5			

COMPARTMENT	LOCATION (FR. NO.)	CAPACITIES		100% FULL		MAX. WT OF INERTIA (MT)
		VOLUME 100% FULL (m³)	WEIGHT 100% FULL (MT)	VOLUME 100% FULL (m³)	WEIGHT 100% FULL (MT)	
GREYWATER HOLD. T. (P)	39 - 44	114.0	33.200	22.488		63
SEP. BRIDGE OIL T. (P)	44 - 53	69.8	38.283	1.299		97
BRIDGE BRIDGE T. (P)	22 - 27	112.4	30.530	1.243		128
S/T L.O. DRAIN T. (P)	24 - 26	4.8	20.900	1.900		2
S/T L.O. DRAIN T. (S)	24 - 26	4.8	20.900	1.900		2
L.O. DRAIN T. (P)	49 - 53	40.852	40.852	1.900		244
M/O. DRAIN T. (P)	49 - 53	31.5	30.600	1.950		16
M/O. DRAIN T. (S)	49 - 53	31.5	30.600	1.950		16
S/T C.W.T. (P)	7 - 18	88.5	11.671	3.488		16
S/T C.W.T. (S)	7 - 18	88.5	11.671	3.488		16
L.O. SLEDGE T. (P)	16 - 23	8.4	15.600	10.438		2
M/O. SLEDGE T. (P)	23 - 27	8.8	28.000	18.638		1
AIR COOL. CHEM. (L)	44 - 46	2.2	38.000	1.900		0
FUEL BREAK. T. (C)	25 - 27	13.2	28.989	6.989		10
SUB TOTAL		652.4				

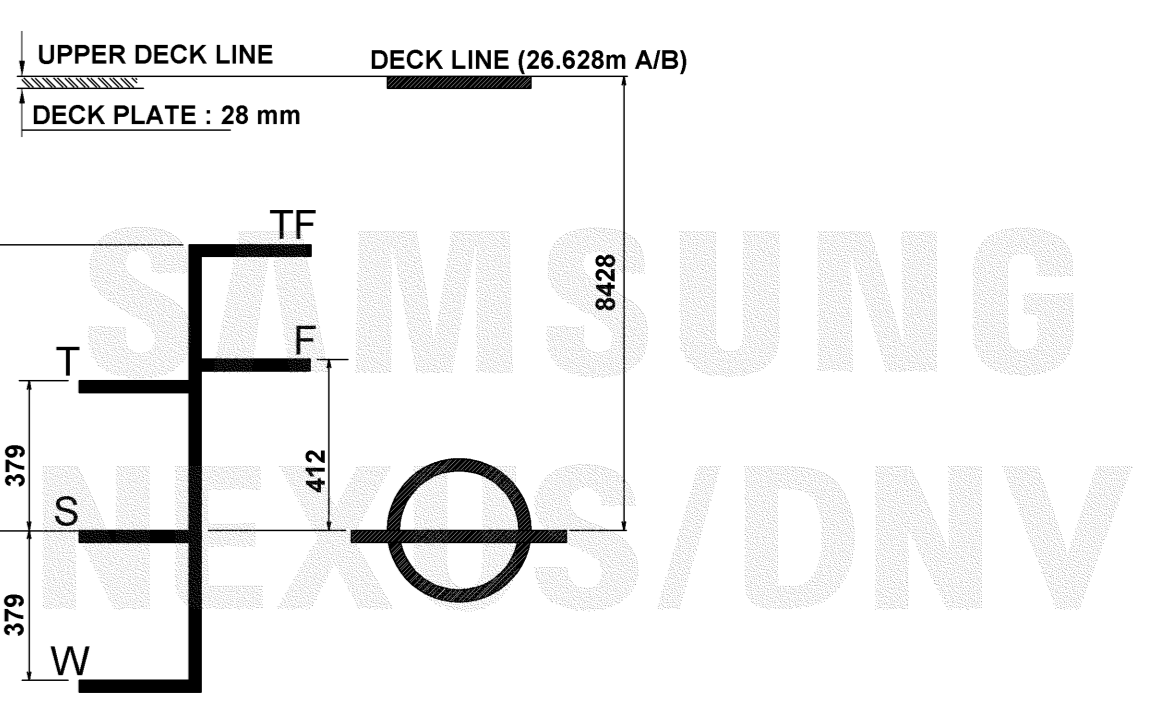


HN 1716 LIGHTSHIP CONDITION DATA

- LWT : 37101.0 MT
- LGG : 120.970 m FROM A.P.
- VCG : 20.243 m ABOVE B.L.

FREEBOARD, DRAFT & DEADWEIGHT TABLE

	FREEBOARD (m)	DRAFT (EXTREME) (m)	DEADWEIGHT (MT)	DISPLACEMENT (MT)
TROPICAL FRESH WATER	TF 7.637	19.012	152395.5	189496.5
FRESH WATER	F 8.016	18.633	146213.8	185314.8
TROPICAL	T 8.049	18.600	152473.7	189574.7
SUMMER	S 8.428	18.221	148192.2	185293.2
WINTER	W 8.807	17.842	143915.7	181016.7



PRINCIPAL DIMENSIONS

- LENGTH O. A. 271.754 m
- LENGTH B. P. 258.0 m
- BREADTH (MOULDED) 46.0 m
- DEPTH (MOULDED) 26.6 m
- DESIGNED DRAUGHT (MOULDED) 18.2 m
- SCANTLING DRAUGHT (MOULDED) 18.2 m

Registration : NIS

This document is the property of SAMSUNG HEAVY IND.CO.,LTD and must in no case wholly or partially be copied, shown or given to third party without SAMSUNG's consent.

Department: 220	Ship Type: 950.000 bbls FPSO	Class: DNV
Hull No.: 1716	Ship Name: NEXUS 1	1716 9399832
Approved by: W. H. Cho	Document Title: CAPACITY PLAN WITH DWT SCALE	Hull No. IMO No.
Checked by: Y. B. Bang	Builder's Document No.: NEX1-SH1-JA-0005	A
Prepared by: K. Y. Shin (T.6430)	Scale: 1/400	Unit: mm
SAMSUNG HEAVY IND.CO.,LTD.	Scale: 1/400	Unit: mm
GEORJE SHIPYARD, KOREA	Consolidated No.: GY-05	