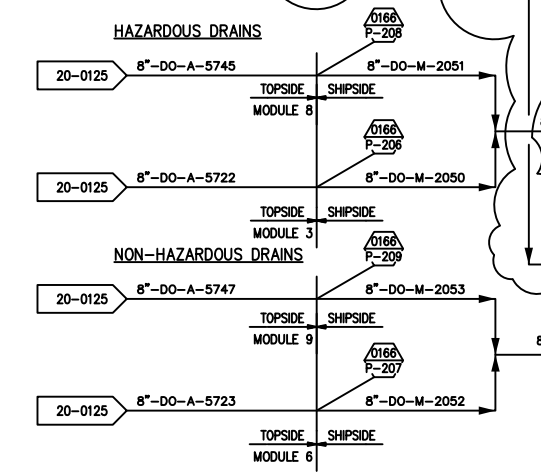
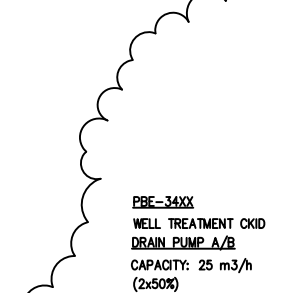
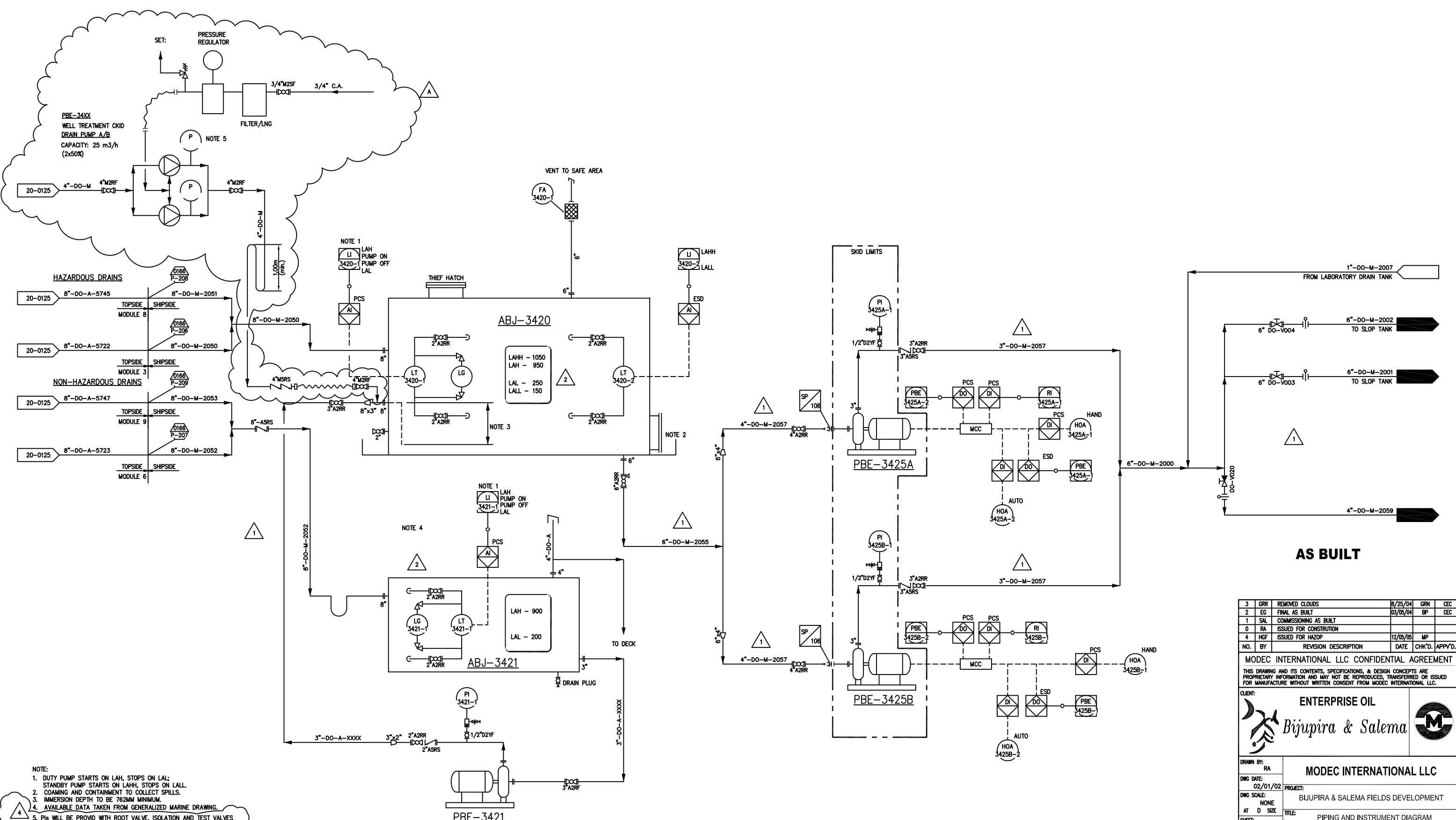


ABJ-3420
HAZARDOUS OPEN DRAIN SUMP TANK
CAPACITY: 7.6 m³ (2000 gal)

ABJ-3421
NON-HAZARDOUS OPEN DRAIN TANK
CAPACITY: 3.3 m³ (880 gal)

PBE-3421
OPEN DRAIN PUMP
CAPACITY: 42 m³/h (184 GPM) DP = 44 kPa (6.4 PSI)
DRIVER: 1.5 kW (2 HP)

PBE-3425A/B
OPEN DRAIN PUMPS
CAPACITY: 49 m³/h (216 GPM) DP= 133 kPag (19.3 PSIG)
DRIVER: 4 kW (5.4 HP)
2 x 50%



NOTE:
1. DUTY PUMP STARTS ON LAH, STOPS ON LAL;
STANDBY PUMP STARTS ON LAH, STOPS ON LALL.
2. COAMING AND CONTAINMENT TO COLLECT SPILLS.
3. IMMERSION DEPTH TO BE 762MM MINIMUM.
4. AVAILABLE DATA TAKEN FROM GENERALIZED MARINE DRAWING.
5. PIs WILL BE PROVID WITH ROOT VALVE, ISOLATION AND TEST VALVES

AS BUILT

3	GRR	REMOVED CLOUDS	8/25/04	GRN	CEC
2	EG	FINAL AS BUILT	03/05/04	BP	CEC
1	SAL	COMMISSIONING AS BUILT			
0	RA	ISSUED FOR CONSTRUCTION			
4	HGF	ISSUED FOR HAZOP	12/05/05	MP	
NO.	BY	REVISION DESCRIPTION	DATE	CHK'D	APPV'D.

MODEC INTERNATIONAL LLC CONFIDENTIAL AGREEMENT
THIS DRAWING AND ITS CONTENTS, SPECIFICATIONS, & DESIGN CONCEPTS ARE PROPRIETARY INFORMATION AND MAY NOT BE REPRODUCED, TRANSFERRED OR ISSUED FOR MANUFACTURE WITHOUT WRITTEN CONSENT FROM MODEC INTERNATIONAL LLC.

CLIENT: **ENTERPRISE OIL**
Bijupira & Salema

DRAWN BY: RA	MODEC INTERNATIONAL LLC	
DWG DATE: 02/01/02	PROJECT: BIJUPIRA & SALEMA FIELDS DEVELOPMENT	
DWG SCALE: NONE	TITLE: PIPING AND INSTRUMENT DIAGRAM OPEN DRAIN SUMP TANK AND PUMPS	
AT D SIZE	SHEET: 4	
NO FILE: 1058-AE-20-90-0166	DWG NO: 1058-AE-20-90-20-0166	REV: 4

CONFIDENTIAL
PROPRIETARY INFORMATION