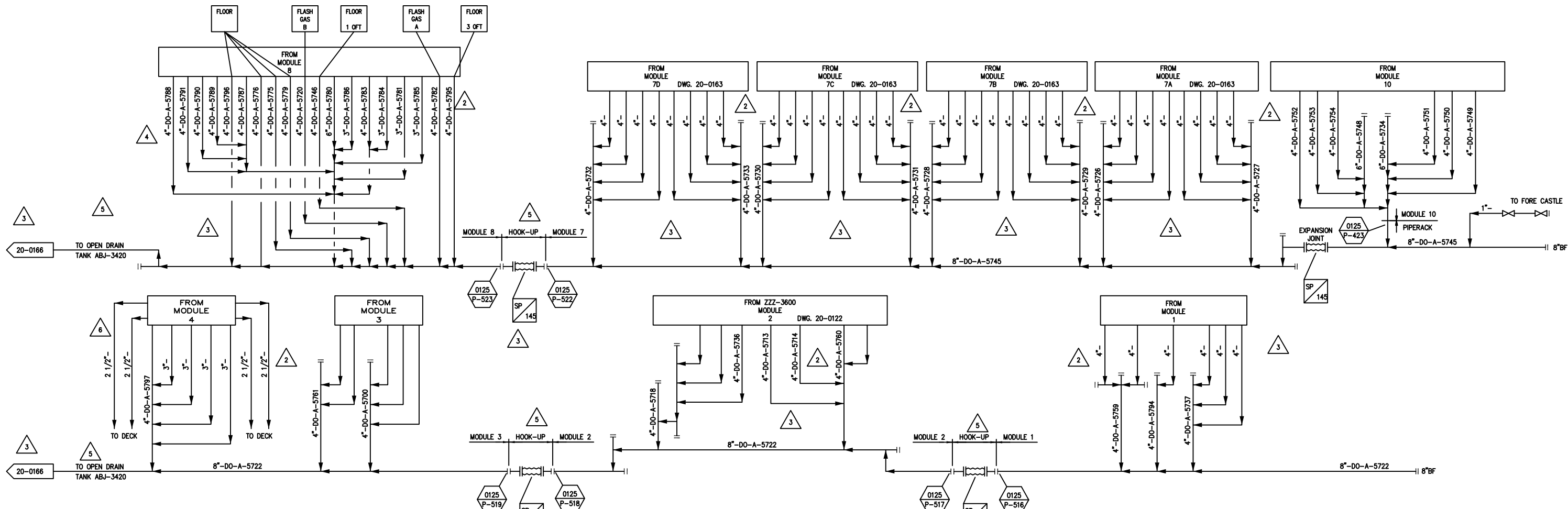
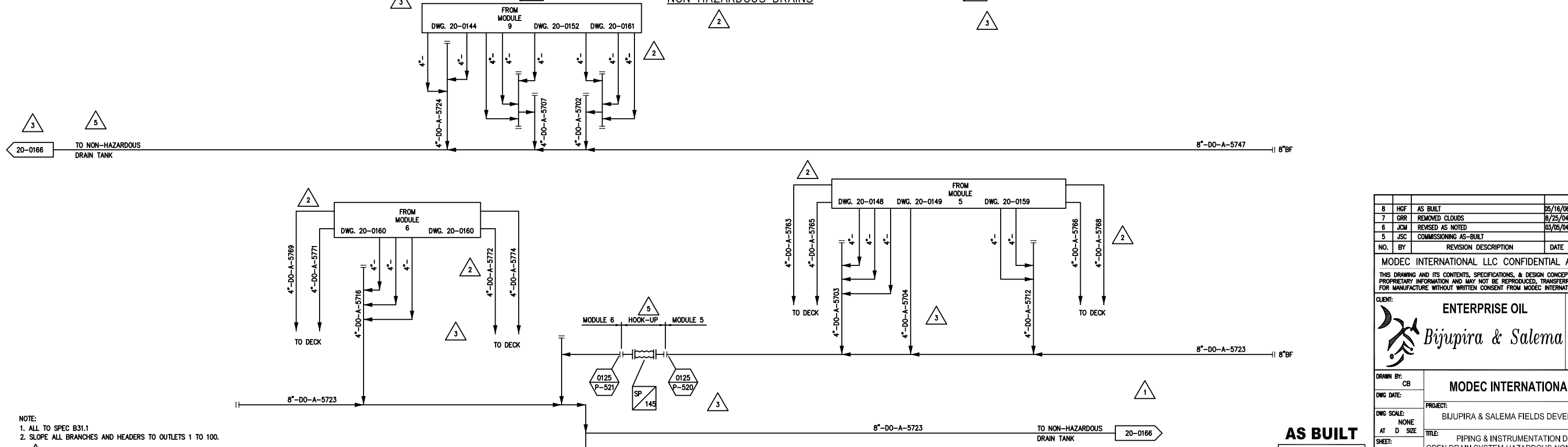


HAZARDOUS DRAINS



NON HAZARDOUS DRAINS



NOTE:
 1. ALL TO SPEC B31.1
 2. SLOPE ALL BRANCHES AND HEADERS TO OUTLETS 1 TO 100.

8	HGF	AS BUILT	05/16/08	CC	
7	GRR	REMOVED CLOUDS	8/25/04	GRN	CEC
6	JCM	REVISED AS NOTED	03/05/04	BP	CEC
5	JSC	COMMISSIONING AS-BUILT			

MODEC INTERNATIONAL LLC CONFIDENTIAL AGREEMENT

THIS DRAWING AND ITS CONTENTS, SPECIFICATIONS, & DESIGN CONCEPTS ARE PROPRIETARY INFORMATION AND MAY NOT BE REPRODUCED, TRANSFERRED OR ISSUED FOR MANUFACTURE WITHOUT WRITTEN CONSENT FROM MODEC INTERNATIONAL LLC.

CLIENT:

ENTERPRISE OIL
Bijupira & Salema



DRAWN BY:	CB	PROJECT:	BIJUPIRA & SALEMA FIELDS DEVELOPMENT
DWG DATE:		TITLE:	PIPING & INSTRUMENTATION DIAGRAM OPEN DRAIN SYSTEM-HAZARDOUS-NON HAZARDOUS
DWG SCALE:	NONE	NO FILE:	1058-AE-20-90-20-0125
AT D SIZE:		DWG NO.:	1058-AE-20-90-20-0125
SHEET:		REV:	8

AS BUILT
 CONFIDENTIAL
 PROPRIETARY INFORMATION