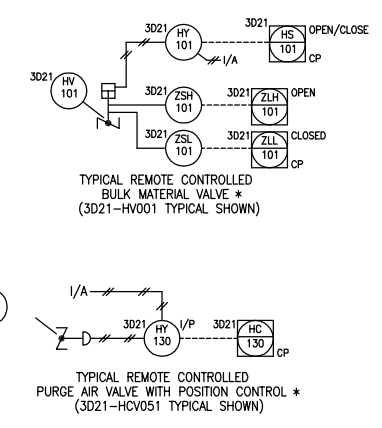


- NOTES:**
- ALL ITEMS MARKED ** CEMENTER CONTRACTOR SUPPLY (BJ SERVICES).
 - ALL ITEMS MARKED THUS * SUPPLIED BY NOV.
 - CP DENOTES LOCAL BULK CEMENT CONTROL PANEL.
 - SURGE TANK TO CEMENTER ARE INCLUDED IN VENDOR PACKAGE.
 - LINE JOINTS TO BE USED FOR VICTAULIC COUPLING FOR 2" AND ABOVE.
 - DELTA, Y-BRANCH FOR PIPING CLASS ARE SUPPLIED BY NOV.
 - ALL BENDS TO BE 5D MINIMUM ON ALL PRODUCT LINES.
 - MANUAL SOUNDING.
9. 3/8" TUBING TO SAMPLE UNIT AIR CYLINDER. INSTRUMENT AIR SUPPLY SEE DRG. No. 7094-RBBAC-21.
10. AIR LINE SHALL BE CONNECTED WITH DOWNSTREAM OF CONTROL VALVE AS CLOSELY AS POSSIBLE.
11. THE DISCHARGE OF CEMENT BULK AND DAY TANK SHALL BE CONTROL BY PROPOS.
12. AIR CONNECTION FOR CLEANING PSV LINES.
13. ROCK CATCHER SHALL BE MOUNTED VERTICALLY WITH FLOW DIRECTION DOWNWARDS.



7094 7096 7103

DRAWING No.	TITLE			
REFERENCE DRAWINGS				
1	RE-ISSUED FOR CONSTRUCTION	27.03.12	HHK	SGL SCA
0	ISSUED FOR CONSTRUCTION	12.10.11	HHK	SGL SCA
B	ISSUED FOR APPROVAL	20.07.11	HHK	SGL SCA
A	ISSUED FOR IDC	17.06.11	HHK	KYH SCA
REV	ISSUE	DATE	ORIG	CHK ENG
REVISIONS				
This document is the property of SAMSUNG HEAVY IND. CO., LTD. and must in no case wholly or partially be copied, shown or given to the third party without SAMSUNG's consent.				
PROJECT	Ocean Rig Drillship #5			
CLIENT	OCEAN RIG			
BUILDER	SAMSUNG HEAVY INDUSTRIES			
DRAWING TITLE	PIPING & INSTRUMENT DIAGRAM BULK POWDER SYSTEM CEMENT			
DRG SIZE	A1	SCALE	N.T.S	CAD No.
SFI No.	DRAWING No.		DRAWN BY.	
SERVICE No.	7094-RBBAC-04		1/1	1
CONFIDENTIAL		Unauthorized use or disclosure of this material results in civil or criminal liabilities.		