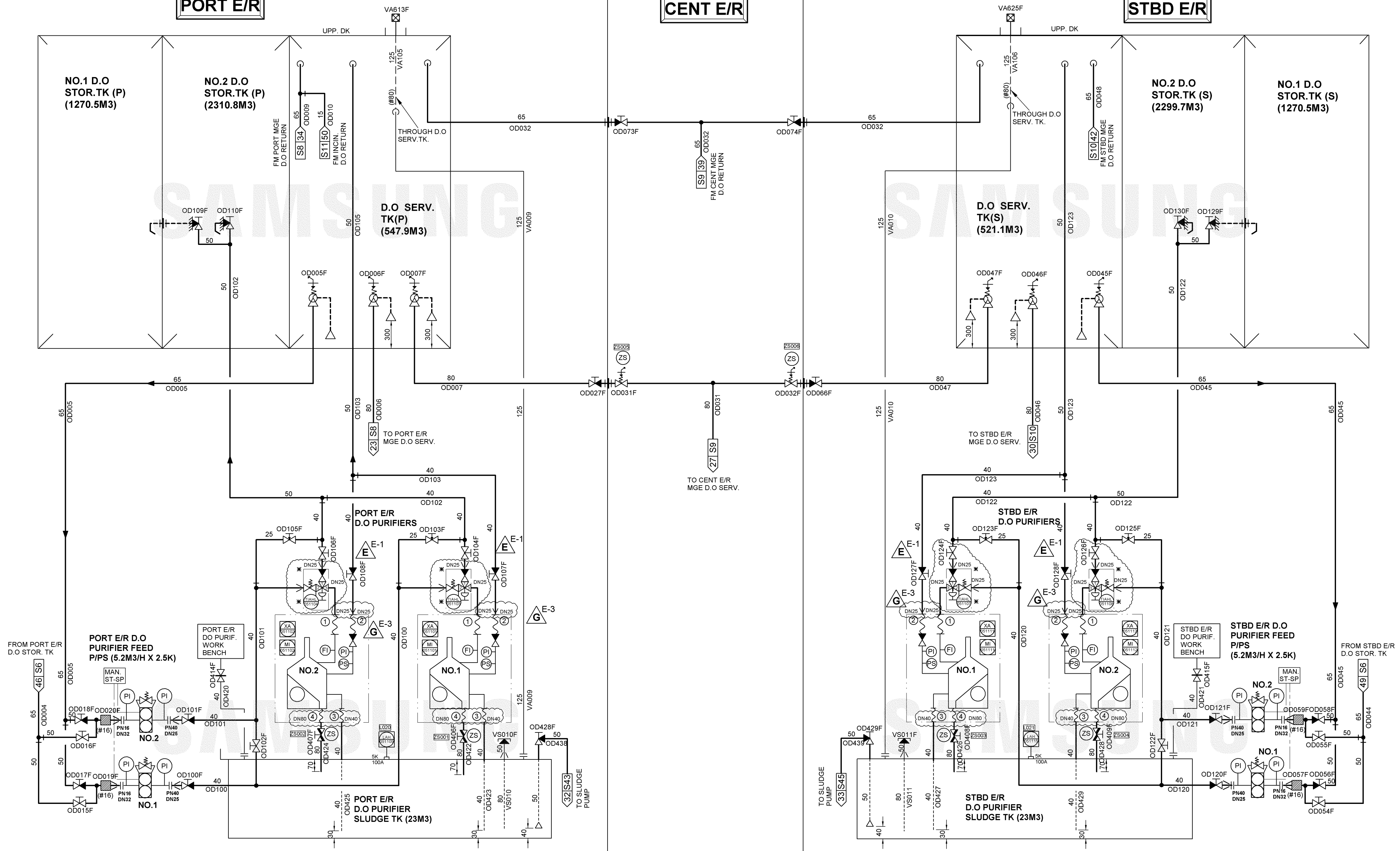


REMARKS	
1.	: SANDWICH VALVE
TITLE: OCEAN RIG DRILLSHIP	
FUEL OIL SYSTEM (D.O TRANSFER)	
HULL NO.: 1979/2013/2032	DWG. NO.: MB101.20(1/7)
S6	
SAMSUNG HEAVY INDUSTRIES CO., LTD	

PORT E/R

CENT E/R

STBD E/R



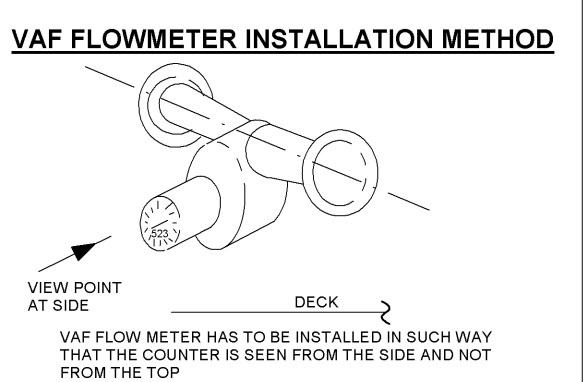
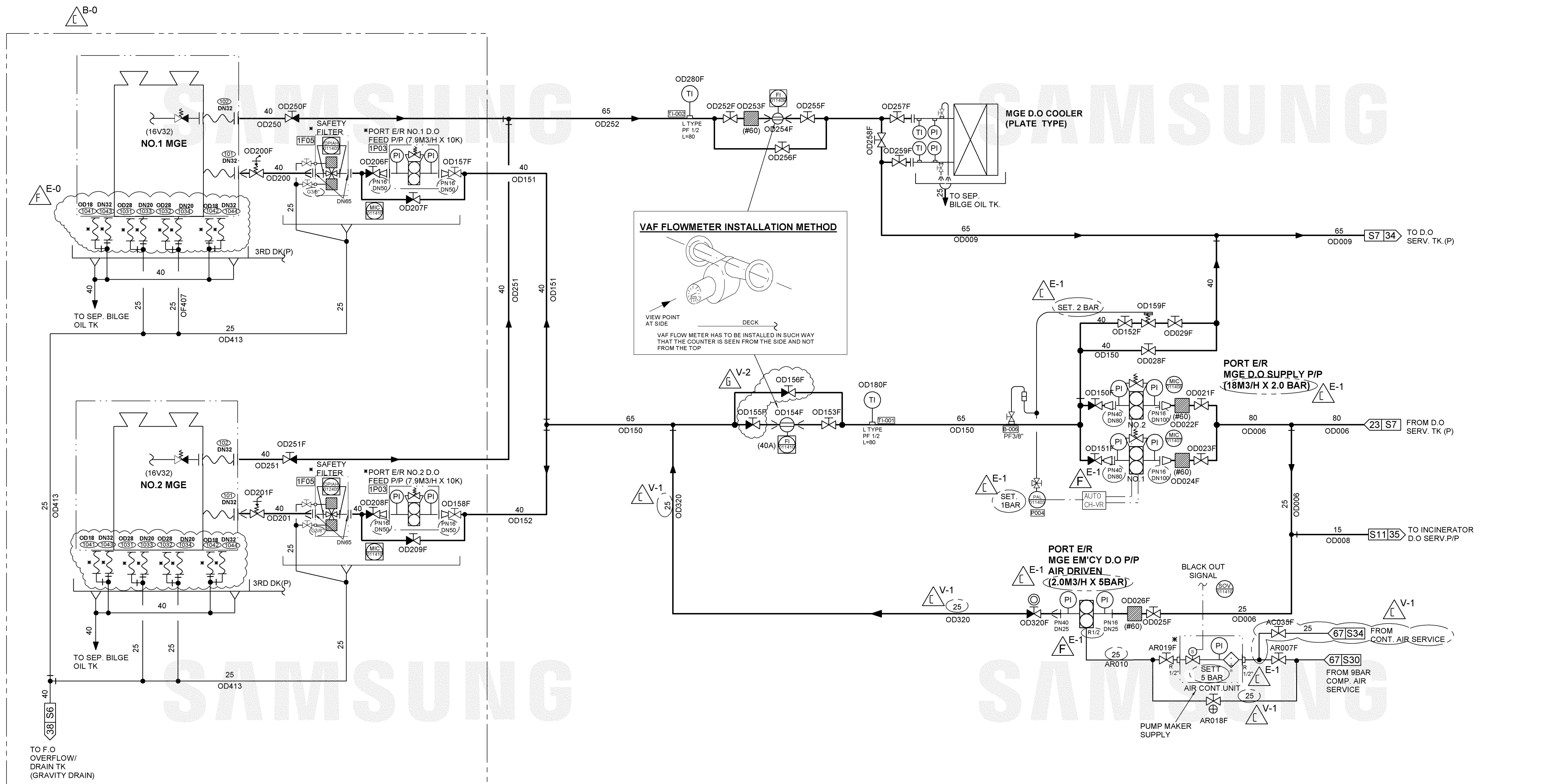
TITLE: OCEAN RIG DRILLSHIP

**FUEL OIL SYSTEM
(FUEL OIL PURIFYING)**

HULL NO.: 1979/2013/2032	DWG. NO.: MB101.20(2/7)		S7
-----------------------------	----------------------------	--	-----------

SAMSUNG HEAVY INDUSTRIES CO., LTD

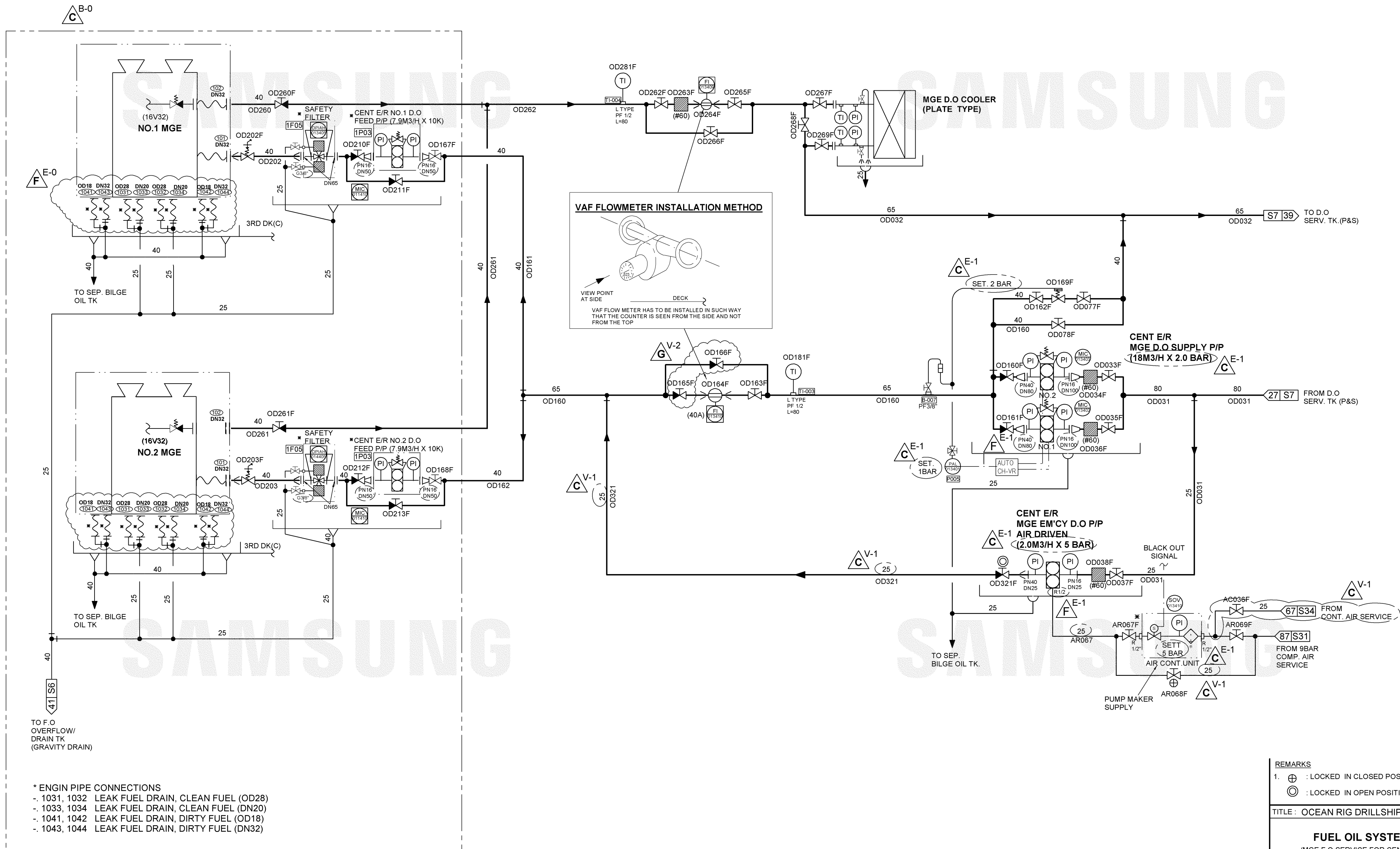
PORT ENGINE RM



- * ENGIN PIPE CONNECTIONS**
- 1031, 1032 LEAK FUEL DRAIN, CLEAN FUEL (OD28)
 - 1033, 1034 LEAK FUEL DRAIN, CLEAN FUEL (DN20)
 - 1041, 1042 LEAK FUEL DRAIN, DIRTY FUEL (OD18)
 - 1043, 1044 LEAK FUEL DRAIN, DIRTY FUEL (DN32)

REMARKS	
⊕	: LOCKED IN CLOSED POSITION
⊙	: LOCKED IN OPEN POSITION
TITLE: OCEAN RIG DRILLSHIP	
FUEL OIL SYSTEM (MGE F.O SERVICE FOR PORT E/R)	
HULL NO.: 1979/2013/2032	DWG. NO.: MB 101.20(3/7)
S8	
SAMSUNG HEAVY INDUSTRIES CO., LTD	

CENT ENGINE RM

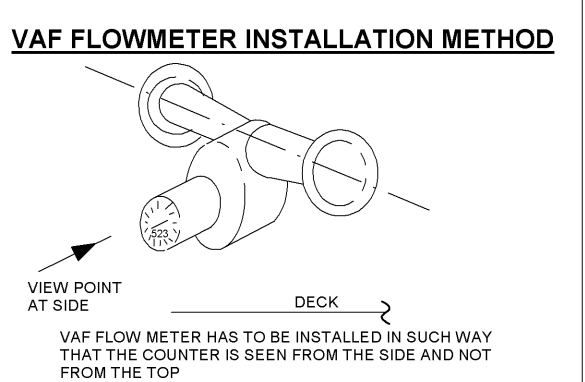
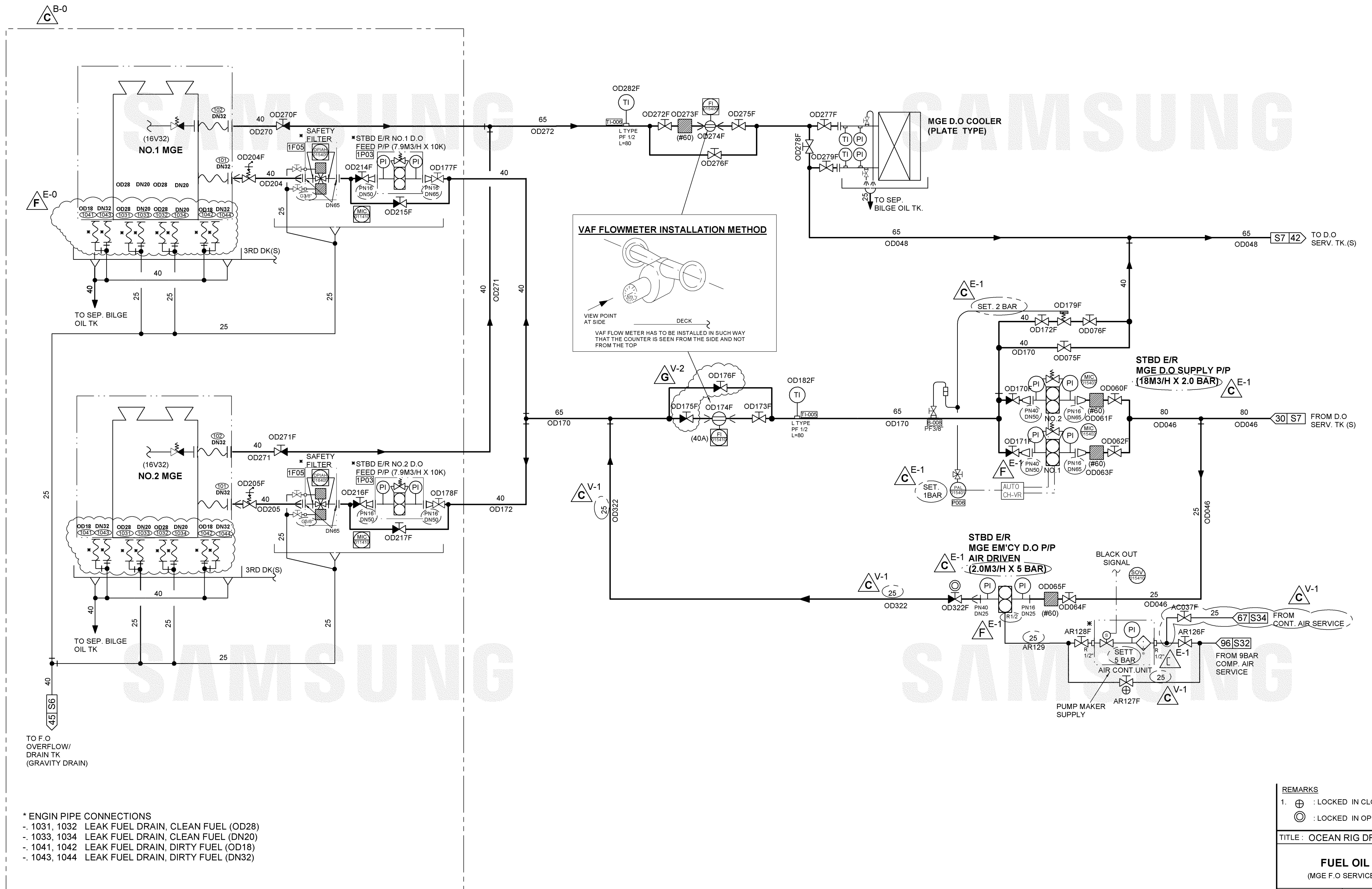


TO F.O. OVERFLOW/ DRAIN TK (GRAVITY DRAIN)

- * ENGIN PIPE CONNECTIONS
- 1031, 1032 LEAK FUEL DRAIN, CLEAN FUEL (OD28)
 - 1033, 1034 LEAK FUEL DRAIN, CLEAN FUEL (DN20)
 - 1041, 1042 LEAK FUEL DRAIN, DIRTY FUEL (OD18)
 - 1043, 1044 LEAK FUEL DRAIN, DIRTY FUEL (DN32)

REMARKS	
1. ⊕	: LOCKED IN CLOSED POSITION
⊙	: LOCKED IN OPEN POSITION
TITLE: OCEAN RIG DRILLSHIP	
FUEL OIL SYSTEM (MGE F.O SERVICE FOR CENT E/R)	
HULL NO.: 1979/2013/2032	DWG. NO.: MB 101.20(4/7)
S9	
SAMSUNG HEAVY INDUSTRIES CO., LTD	

STBD ENGINE RM



- * ENGINE PIPE CONNECTIONS
- 1031, 1032 LEAK FUEL DRAIN, CLEAN FUEL (OD28)
 - 1033, 1034 LEAK FUEL DRAIN, CLEAN FUEL (DN20)
 - 1041, 1042 LEAK FUEL DRAIN, DIRTY FUEL (OD18)
 - 1043, 1044 LEAK FUEL DRAIN, DIRTY FUEL (DN32)

REMARKS	
1. ⊕	: LOCKED IN CLOSED POSITION
⊙	: LOCKED IN OPEN POSITION
TITLE: OCEAN RIG DRILLSHIP	
FUEL OIL SYSTEM (MGE F.O SERVICE FOR STBD E/R)	
HULL NO.: 1979/2013/2032	DWG. NO.: MB 101.20(5/7)
S10	
SAMSUNG HEAVY INDUSTRIES CO., LTD	