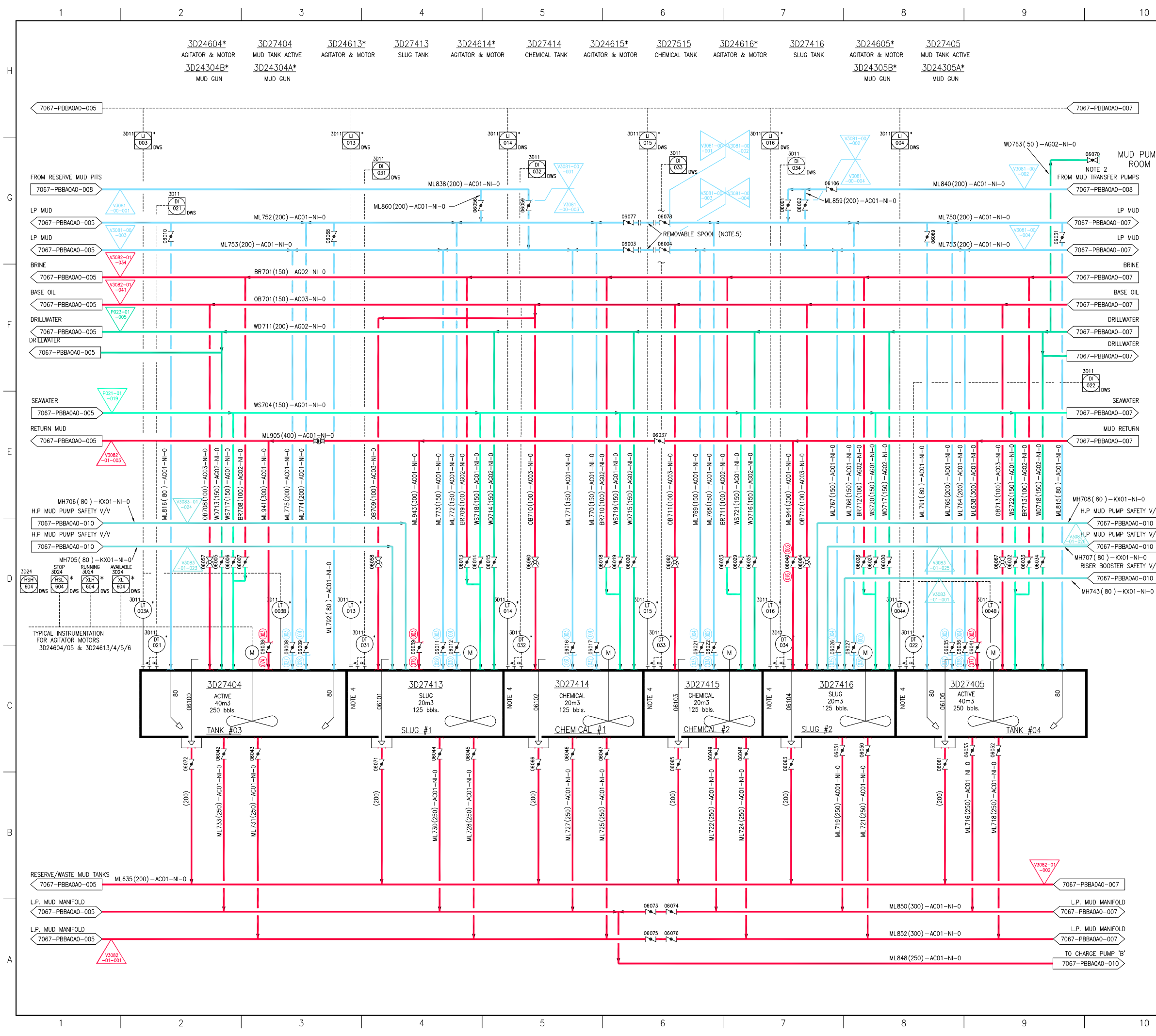
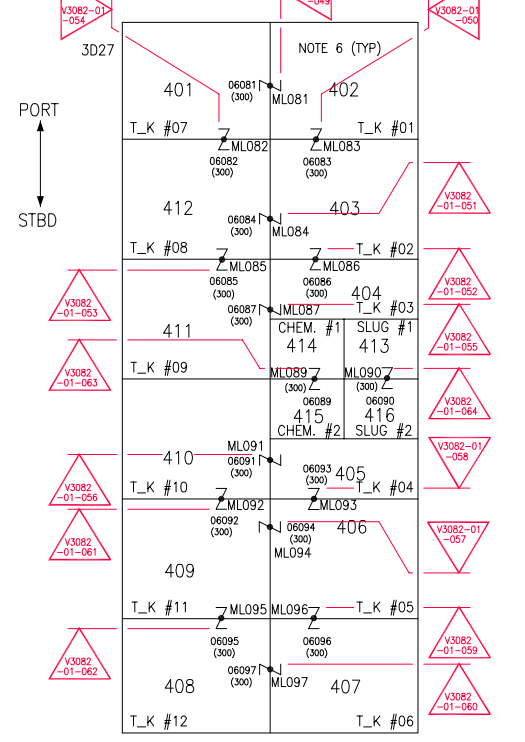


- NOTES:**
1. ALL ITEMS MARKED THUS * NOV SUPPLY
 2. VENDOR SUPPLY.
 3. MOUNTED ON VERTICAL PIPE WITH 2" BSP.
 4. ALL PITS EQUIPPED WITH ACCESS HATCHES.
 5. POSITION OF EQUALIZATION VALVES BETWEEN PITS, NOTE 4 ON PID 7067-PBBA0A0-006

DRAWING No.		TITLE			
REFERENCE DRAWINGS					
0	APPROVAL FOR CONSTRUCTION	05.12.08	LYG	CYD	JYH
A	ISSUED FOR APPROVAL	24.09.08	LYG	JYH	KPM
REV	ISSUE	DATE	ORIG	CHK	ENG
REVISIONS					
This document is the property of SAMSUNG HEAVY IND. CO.,LTD. And must in no case wholly or partially be copied, shown or given to the third party without SAMSUNG's consent.					
PROJECT PRIDE DRILLSHIP #2					
CLIENT					
PRIDE Global Ltd.					
BUILDER					
SAMSUNG HEAVY INDUSTRIES					
DRAWING TITLE PIPING & INSTRUMENT DIAGRAM LP ACTIVE MUD SYSTEM 1					
DRG SIZE	A1	SCALE	N.T.S	CAD No.	DRAWN BY.
SFI No.	DRAWING No.		7067-PBBA0A0-005		1/1 0
SERVICE No.	JOB No.		DISC/DI/ASK MOD SEQ No		SHT No REV
CONFIDENTIAL					
Unauthorized use or disclosure of this material results in civil or criminal liabilities.					

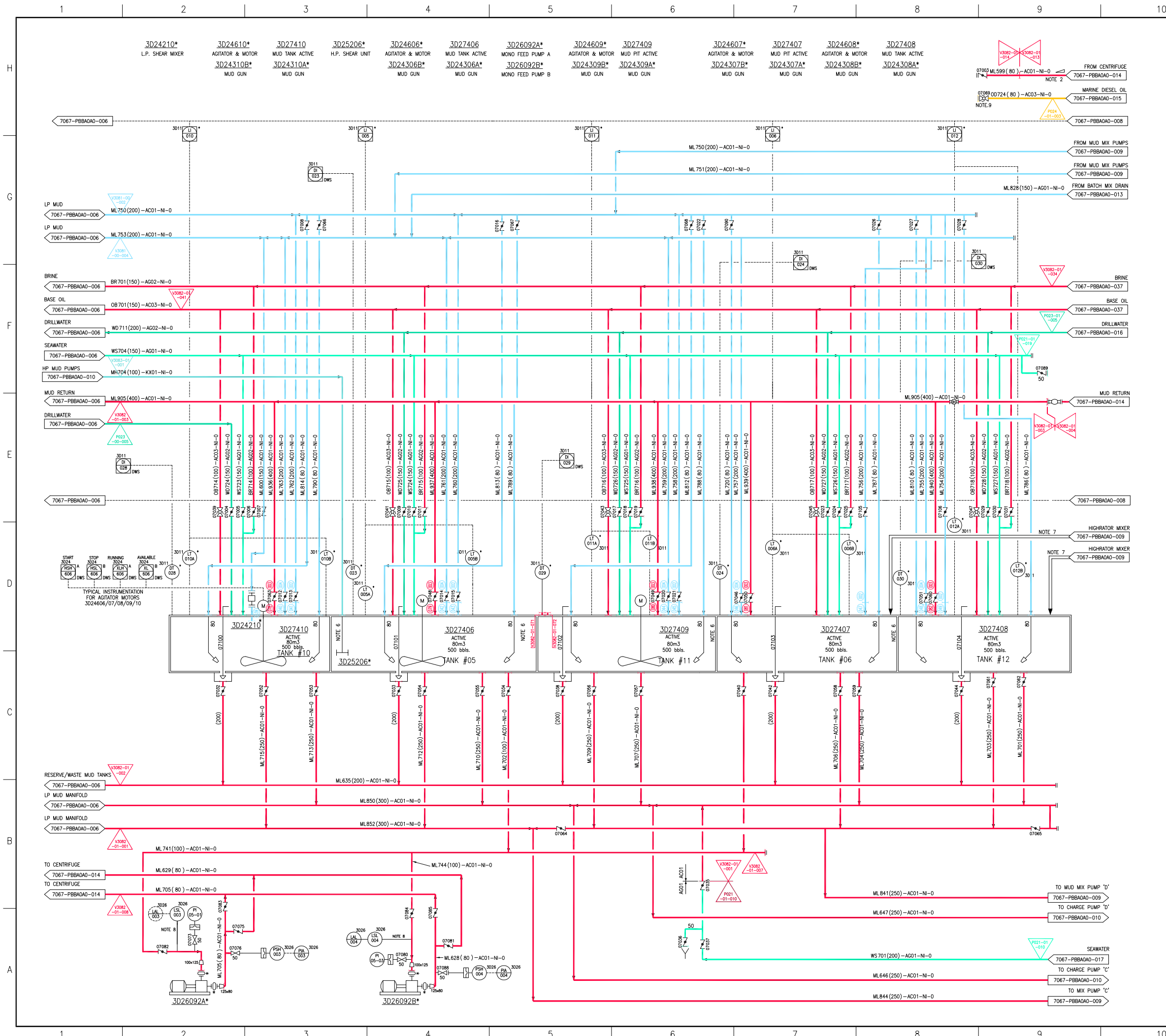


- NOTES**
- ALL ITEMS MARKED THUS * NOV SUPPLY.
 - HOSE CONNECTION.
 - ALL PITS EQUIPPED WITH ACCESS HATCHES.
 - TOP VIEW OF MUD TANKS 3D27XXX WITH POSITION OF EQUALIZING VALVES (300).
 - DOUBLE ISOLATION WHERE CROSS CONTAMINATION COULD OCCUR BETWEEN BRINE AND MUD BY REMOVABLE SPOOLS AND BLIND FLANGES.
 - 12" EQUALIZING VALVES, LOCATED AS CLOSE AS POSSIBLE TO LOW POINT EXTENDED SPINDLE TO TANK TOP



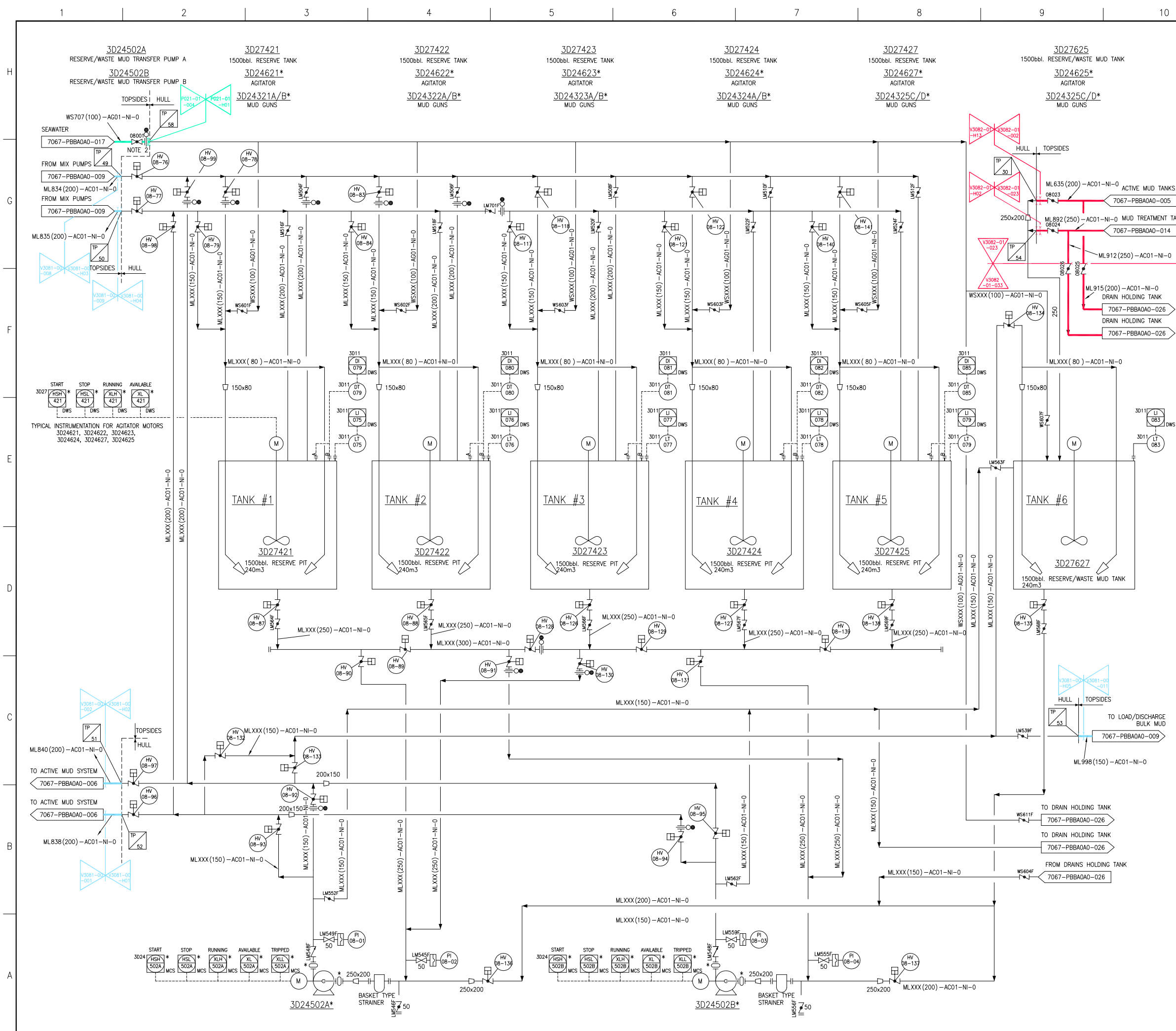
TYPICAL INSTRUMENTATION FOR AGITATOR MOTORS 3D24604/05 & 3D24613/4/5/6

DRAWING No.		TITLE			
REFERENCE DRAWINGS					
2	RE-APPROVAL FOR CONSTRUCTION	XX.XX.XX	ASC	LYG	JYH
1	RE-APPROVAL FOR CONSTRUCTION	18.05.09	KWH	LYG	JYH
0	APPROVAL FOR CONSTRUCTION	05.12.08	LYG	CYD	JYH
A	ISSUED FOR APPROVAL	24.09.08	LYG	JYH	KPM
REV	ISSUE	DATE	ORIG	CHK	ENG
					GG APP
					SHI APP
REVISIONS					
This document is the property of SAMSUNG HEAVY IND. CO.,LTD. And must in no case wholly or partially be copied, shown or given to the third party without SAMSUNG's consent.					
PROJECT PRIDE DRILLSHIP #2					
CLIENT					
PRIDE Global Ltd.					
BUILDER					
SAMSUNG HEAVY INDUSTRIES					
DRAWING TITLE					
PIPING & INSTRUMENT DIAGRAM LP ACTIVE MUD SYSTEM 2					
DRG SIZE	A1	SCALE	N.T.S	CAD No.	DRAWN BY.
SFI No.	DRAWING No.		7067-PBBA0A0-006	1/1	2
SERVICE No.	JOB No.		DISCOCJASK MOD SEQ No	SHT No	REV
CONFIDENTIAL					
Unauthorized use or disclosure of this material results in civil or criminal liabilities.					

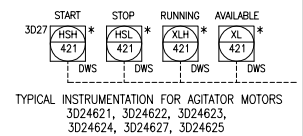


- NOTES:
1. ALL ITEMS MARKED THUS * NOV SUPPLY.
 2. LINE TO SLOPE TO MUD PITS.
 3. HOSE CONNECTION TO BE LOCATED CENTRALLY AT PITS FOR DISTRIBUTING BACK TO ANY PIT THROUGH A SLIGHTLY OPENED HATCH.
 4. VENDOR SUPPLY.
 5. ALL PITS EQUIPPED WITH ACCESS HATCHES.
 6. POSITION OF EQUALIZING VALVES BETWEEN PITS, SEE NOTE 4. ON P&ID 7067-PBBA0A0-006.
 7. VENDOR SUPPLY.
 8. MOUNTED ON HORIZONTAL PIPE WITH 1" BSPP
 9. STBD SIDE OF TOP OF MUD TANK

DRAWING No.	TITLE				
REFERENCE DRAWINGS					
2	RE-APPROVAL FOR CONSTRUCTION	XX.XX.XX	ASC	LYG	JYH
1	RE-APPROVAL FOR CONSTRUCTION	18.05.09	KWH	LYG	JYH
0	APPROVAL FOR CONSTRUCTION	05.12.08	LYG	CYD	JYH
A	ISSUED FOR APPROVAL	24.09.08	LYG	JYH	KPM
REV	ISSUE	DATE	ORIG	CHK	ENG
					GG APP
					SHI APP
REVISIONS					
This document is the property of SAMSUNG HEAVY IND. CO.,LTD. And must in no case wholly or partially be copied, shown or given to the third party without SAMSUNG's consent.					
PROJECT	PRIDE DRILLSHIP #2				
CLIENT	Pride Global Ltd.				
BUILDER	SAMSUNG HEAVY INDUSTRIES				
DRAWING TITLE	PIPING & INSTRUMENT DIAGRAM LP ACTIVE MUD SYSTEM 3				
DRG SIZE	A1	SCALE	N.T.S	CAD No.	DRAWN BY.
SFI No.	DRAWING No.		7067-PBBA0A0-007		1/1 2
SERVICE No.	JOB No.		DISCDOC\ASK MOD SEQ No		SHT No REV
CONFIDENTIAL Unauthorized use or disclosure of this material results in civil or criminal liabilities.					



- NOTES:**
1. ALL ITEMS MARKED THUS * NOV SUPPLY.
 2. LOCATED ON TOP OF VESSEL (EL. 19600).
 3. TYPICAL REMOTE CONTROLLED LP. MUD VALVES.
 4. VALVE TAG NO. HV-08-82 & 125 ARE CONTROLLED AT "AS".
 5. ALL LINES AFTER TIED-IN POINT BETWEEN TOPSIDE/HULL SHOWS ROUTING BY HULLSIDE.



DRAWING No.	TITLE				
REFERENCE DRAWINGS					
1	RE-APPROVAL FOR CONSTRUCTION	18.05.09	KWH	LYG	JYH
0	APPROVAL FOR CONSTRUCTION	05.12.08	LYG	CYD	JYH
A	ISSUED FOR APPROVAL	24.09.08	LYG	JYH	KPM
REV	ISSUE	DATE	ORIG	CHK	ENG
			GG	APP	SHI
					APP

PROJECT: PRIDE DRILLSHIP #2

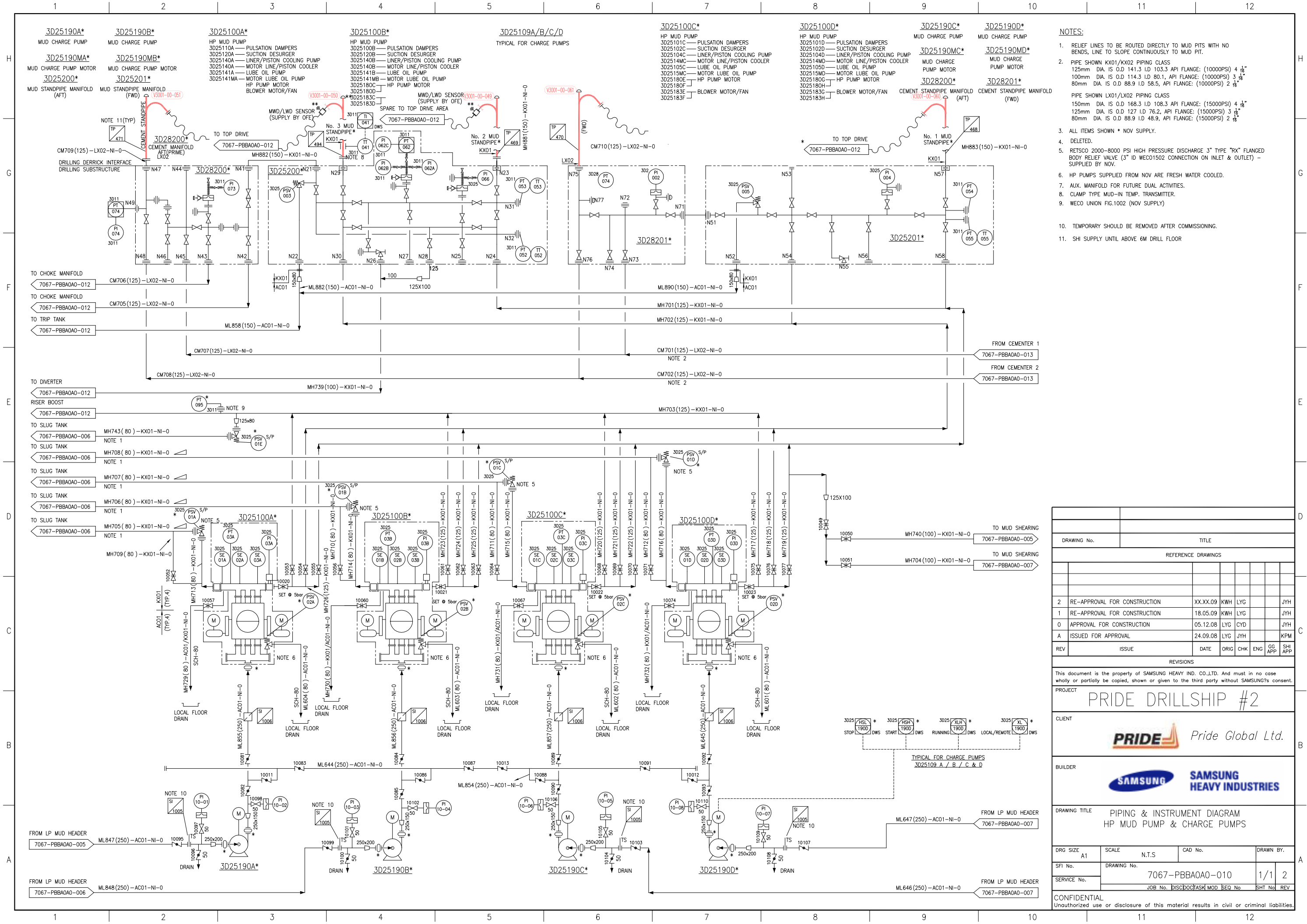
CLIENT: PRIDE *Pride Global Ltd.*

BUILDER: SAMSUNG **SAMSUNG HEAVY INDUSTRIES**

DRAWING TITLE: PIPING & INSTRUMENT DIAGRAM
 LP RESERVE & MUD PITS & TRANSFER PUMPS

DRG SIZE	A1	SCALE	N.T.S	CAD No.	DRAWN BY.
SFI No.	DRAWING No.		7067-PBBA0A0-008	1/1	1
SERVICE No.	JOB No.		DISCOC/ASK MOD SEQ No	SHT No	REV

CONFIDENTIAL
 Unauthorized use or disclosure of this material results in civil or criminal liabilities.



- NOTES:**
- RELIEF LINES TO BE ROUTED DIRECTLY TO MUD PITS WITH NO BENDS, LINE TO SLOPE CONTINUOUSLY TO MUD PIT.
 - PIPE SHOWN KX01/KX02 PIPING CLASS
125mm DIA. IS O.D. 141.3 I.D. 103.3 API FLANGE: (10000PSI) 4 1/8"
100mm DIA. IS O.D. 114.3 I.D. 80.1, API FLANGE: (10000PSI) 3 1/8"
80mm DIA. IS O.D. 88.9 I.D. 58.5, API FLANGE: (10000PSI) 2 1/8"
PIPE SHOWN LX01/LX02 PIPING CLASS
150mm DIA. IS O.D. 168.3 I.D. 108.3 API FLANGE: (15000PSI) 4 1/8"
125mm DIA. IS O.D. 127 I.D. 76.2, API FLANGE: (15000PSI) 3 1/8"
80mm DIA. IS O.D. 88.9 I.D. 48.9, API FLANGE: (15000PSI) 2 1/8"
 - ALL ITEMS SHOWN * NOV SUPPLY.
 - DELETED.
 - RETSO 2000-8000 PSI HIGH PRESSURE DISCHARGE 3" TYPE "RX" FLANGED BODY RELIEF VALVE (3" ID WECO1502 CONNECTION ON INLET & OUTLET) - SUPPLIED BY NOV.
 - HP PUMPS SUPPLIED FROM NOV ARE FRESH WATER COOLED.
 - AUX. MANIFOLD FOR FUTURE DUAL ACTIVITIES.
 - CLAMP TYPE MUD-IN TEMP. TRANSMITTER.
 - WECO UNION FIG.1002 (NOV SUPPLY)
 - TEMPORARY SHOULD BE REMOVED AFTER COMMISSIONING.
 - SHI SUPPLY UNTIL ABOVE 6M DRILL FLOOR

DRAWING No.	TITLE				
REFERENCE DRAWINGS					
2	RE-APPROVAL FOR CONSTRUCTION	XX.XX.09	KWH	LYG	JYH
1	RE-APPROVAL FOR CONSTRUCTION	18.05.09	KWH	LYG	JYH
0	APPROVAL FOR CONSTRUCTION	05.12.08	LYG	CYD	JYH
A	ISSUED FOR APPROVAL	24.09.08	LYG	JYH	KPM
REV	ISSUE	DATE	ORIG	CHK	ENG
REVISIONS					
This document is the property of SAMSUNG HEAVY IND. CO.,LTD. And must in no case wholly or partially be copied, shown or given to the third party without SAMSUNG's consent.					
PROJECT PRIDE DRILLSHIP #2					
CLIENT PRIDE Pride Global Ltd.					
BUILDER SAMSUNG SAMSUNG HEAVY INDUSTRIES					
DRAWING TITLE PIPING & INSTRUMENT DIAGRAM HP MUD PUMP & CHARGE PUMPS					
DRG SIZE	A1	SCALE	N.T.S	CAD No.	DRAWN BY.
SFI No.	DRAWING No.		7067-PBBA0A-010	1/1	2
SERVICE No.	JOB No.		DISCBOCIASK MOD BEQ No	SHT No	REV
CONFIDENTIAL Unauthorized use or disclosure of this material results in civil or criminal liabilities.					