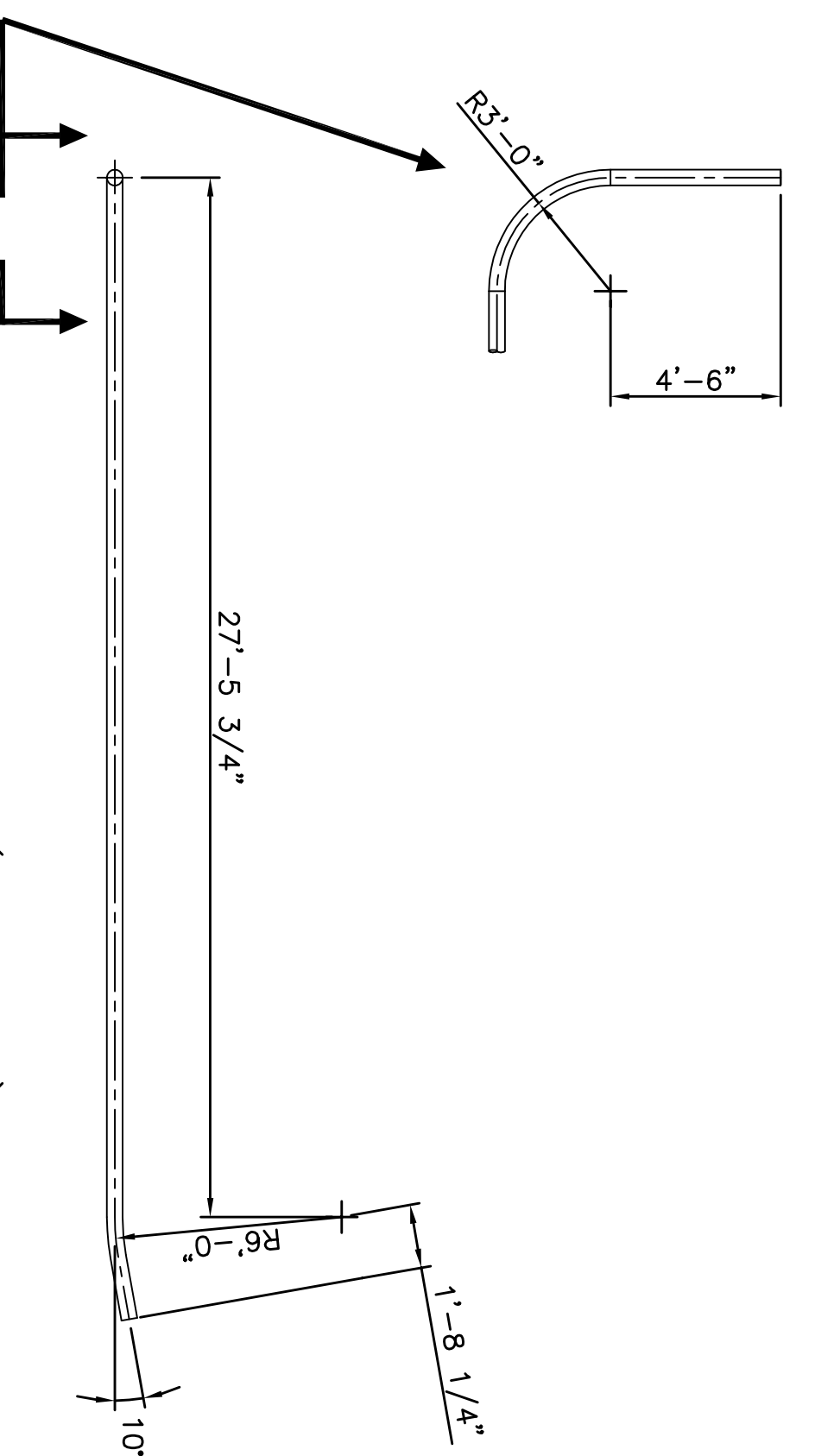
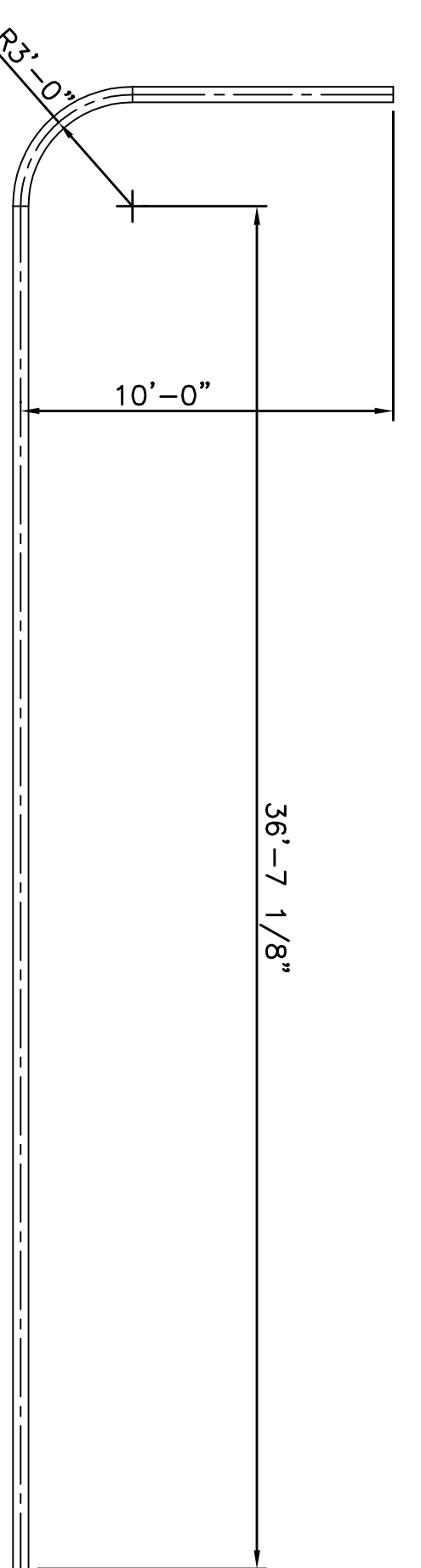


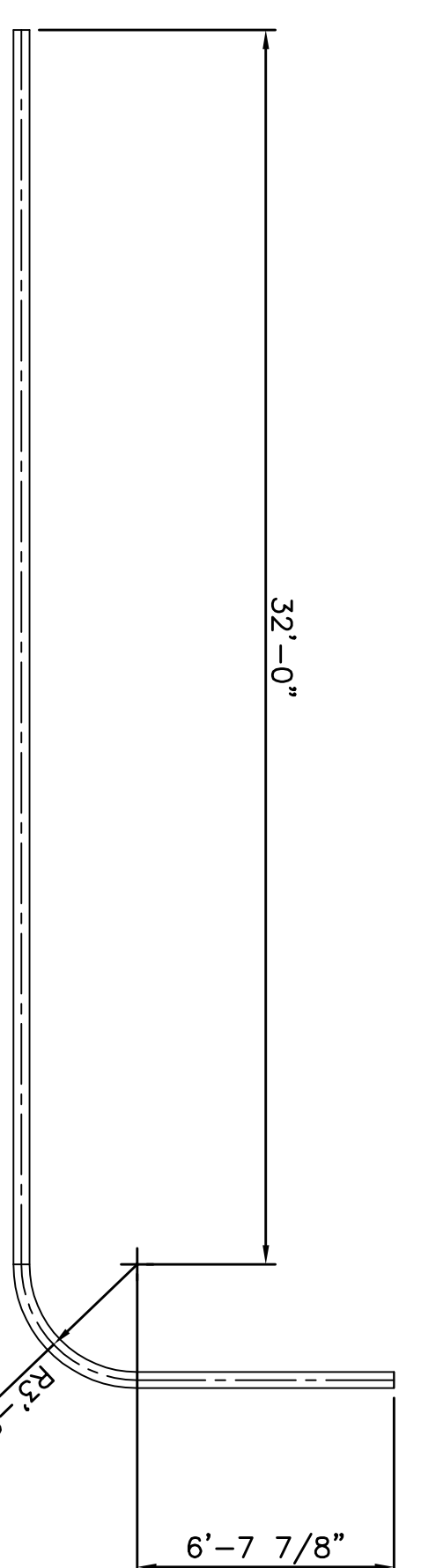
SECTION 3 (CEMENT)



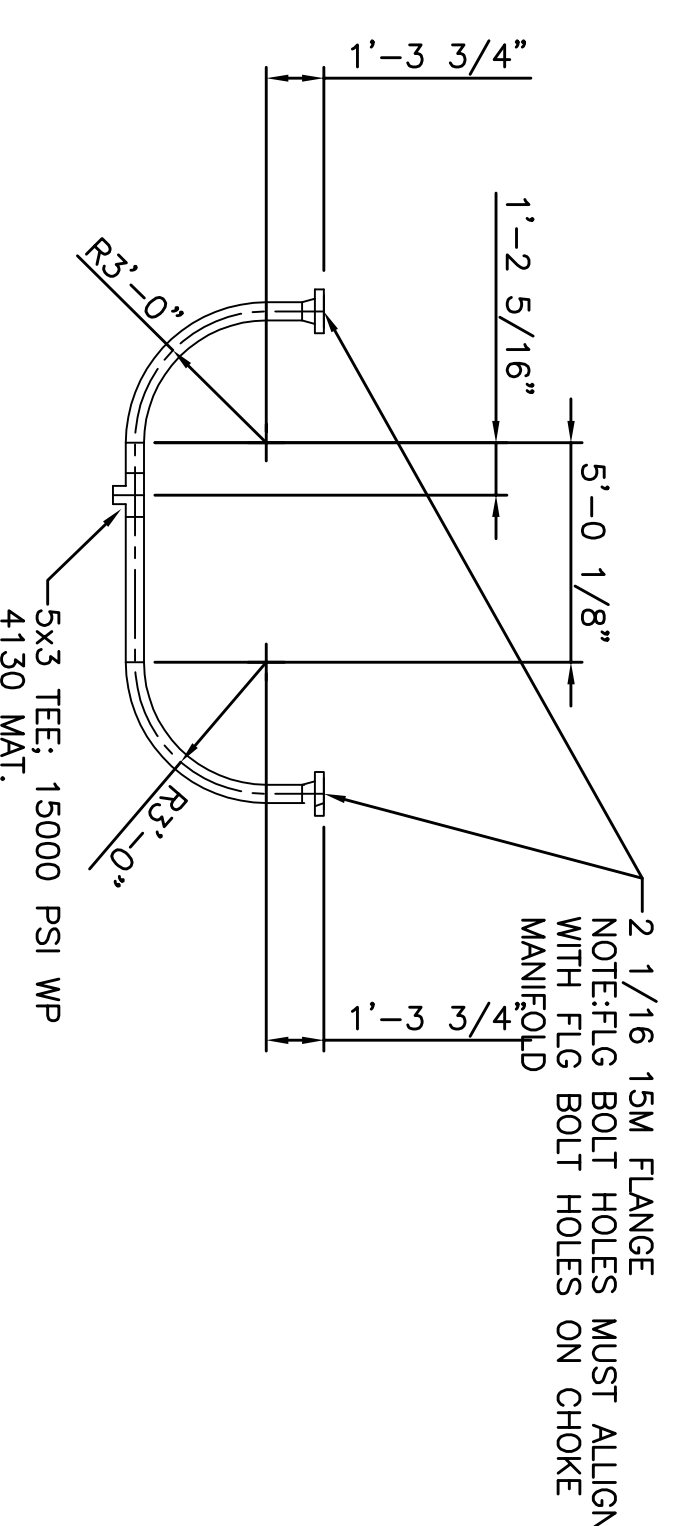
SECTION 4 (CEMENT)



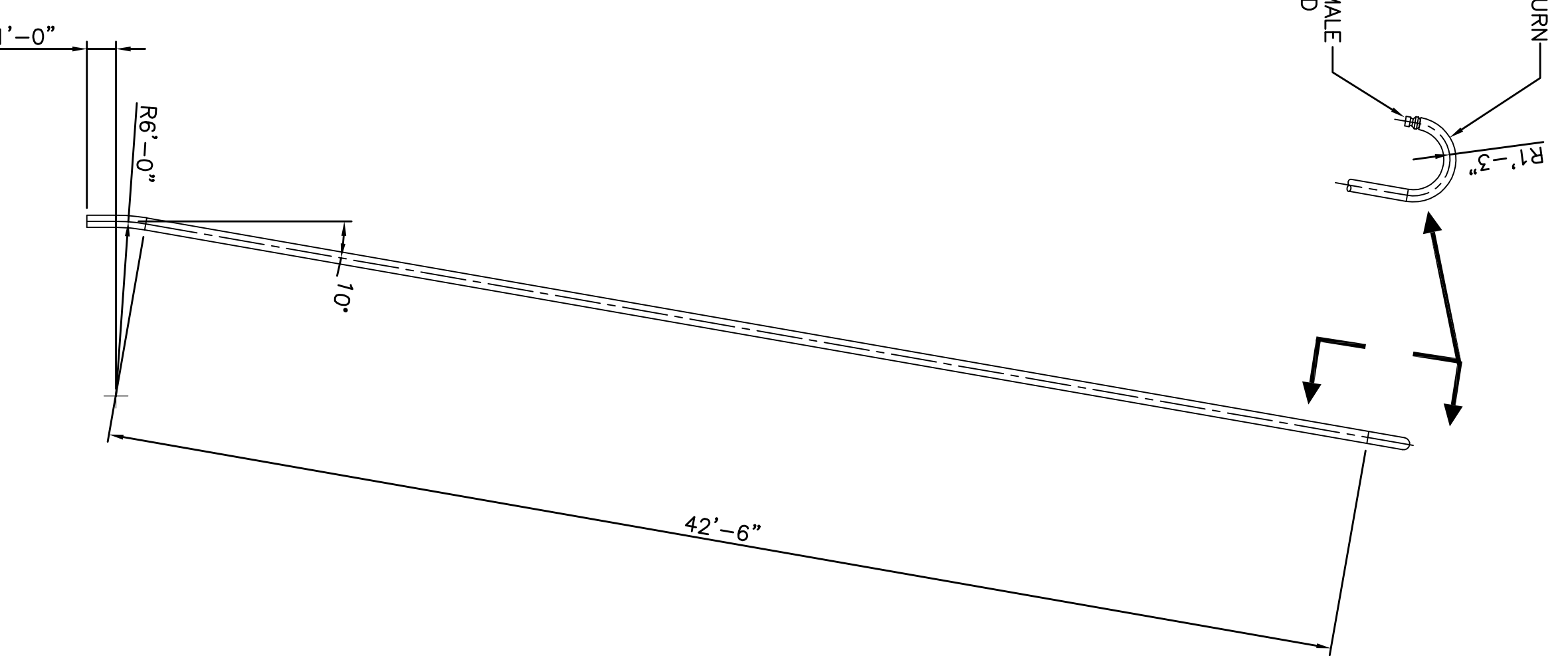
SECTION 2 (CEMENT)



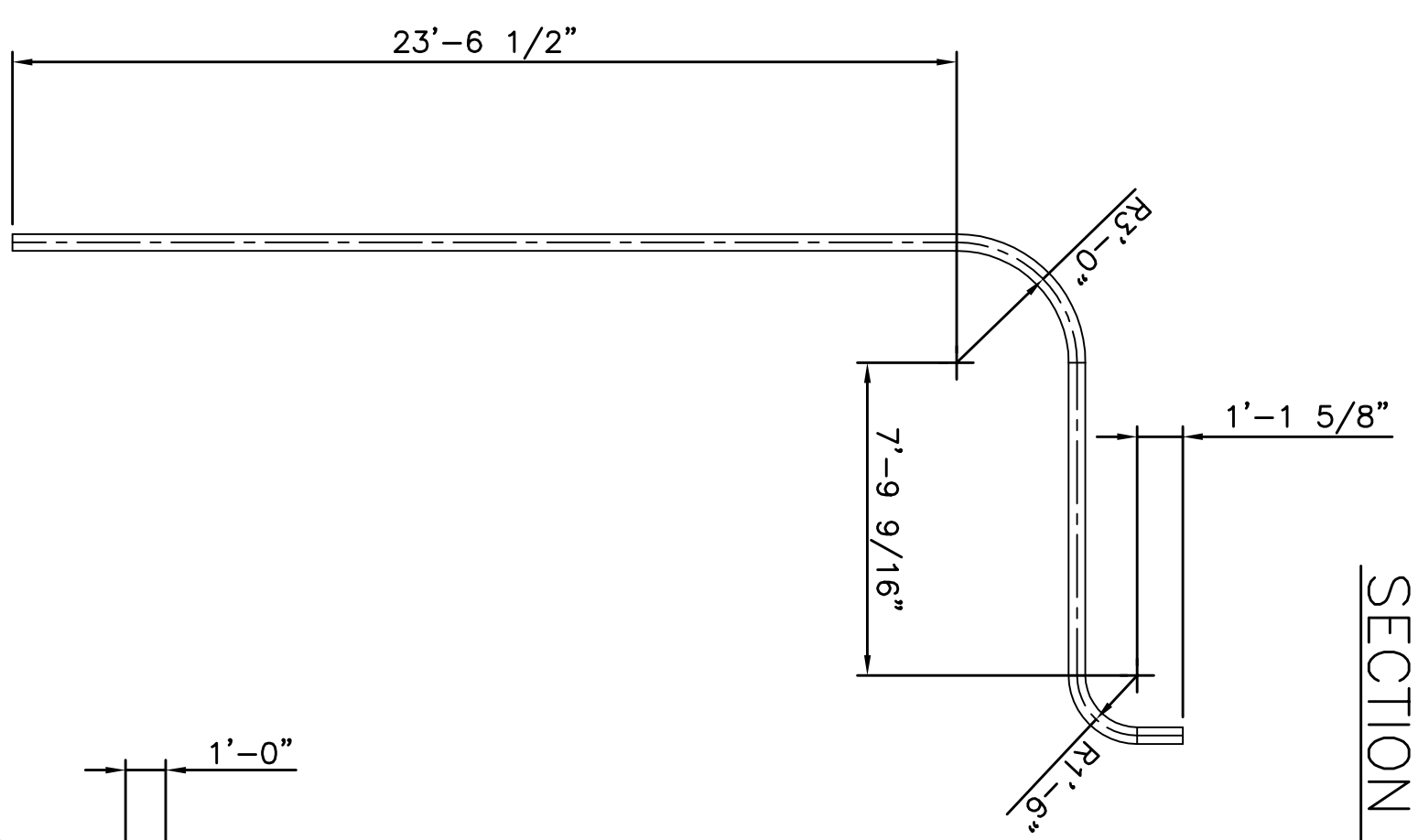
SECTION 1 (CEMENT)



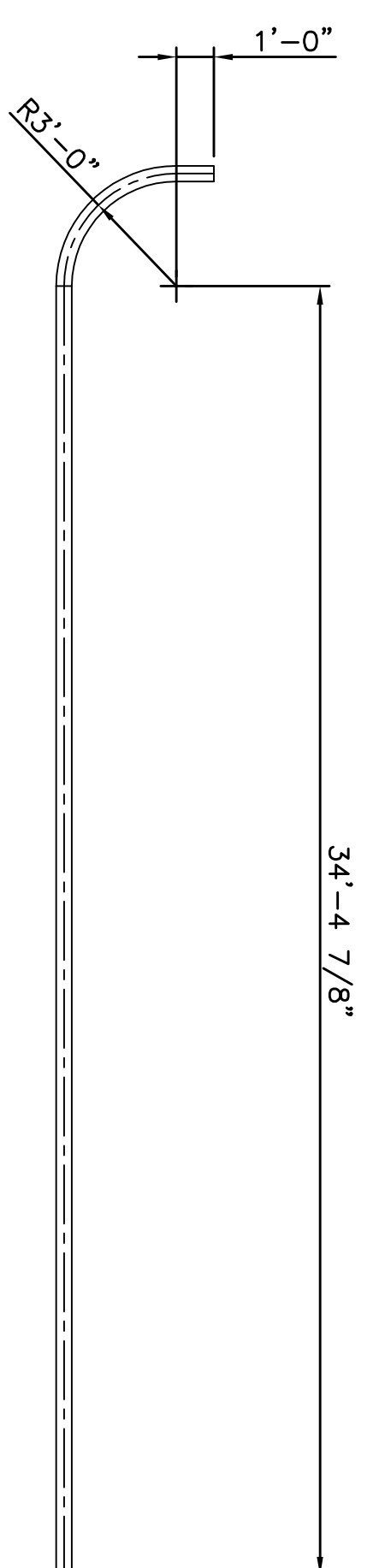
SECTION 9 (CEMENT)



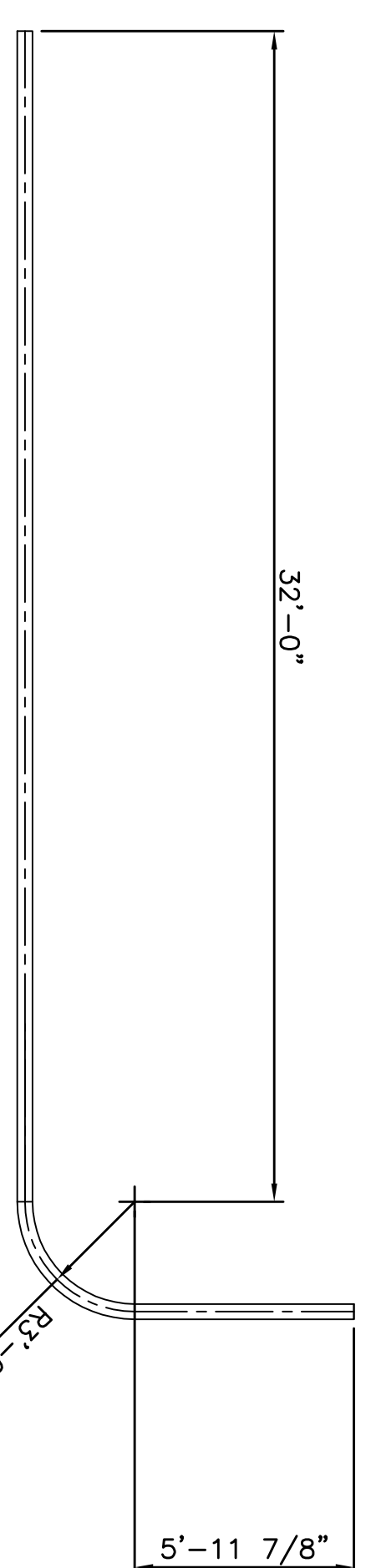
SECTION 5 (CEMENT)



SECTION 8 (CEMENT)



SECTION 7 (CEMENT)



SECTION 6 (CEMENT)

NOTE:  
SECTIONS TO BE MARKED WITH  
SAME SECTION NUMBERS AS SHOWN  
ON THIS DRAWING

OCEAN STAR		HIGH PRESSURE CEMENT PIPING ARRANGEMENT	
ENG: J.K./PA	CHKD:	DWG No.:	167-PD-014
DRAWN: WEM	APPROV:	ACAD NAME:	167PD14B.DWG
SCALE: 1/4"=1'-0"		REV #	0
DATE: 9/27/96	SHT 2 OF 2		