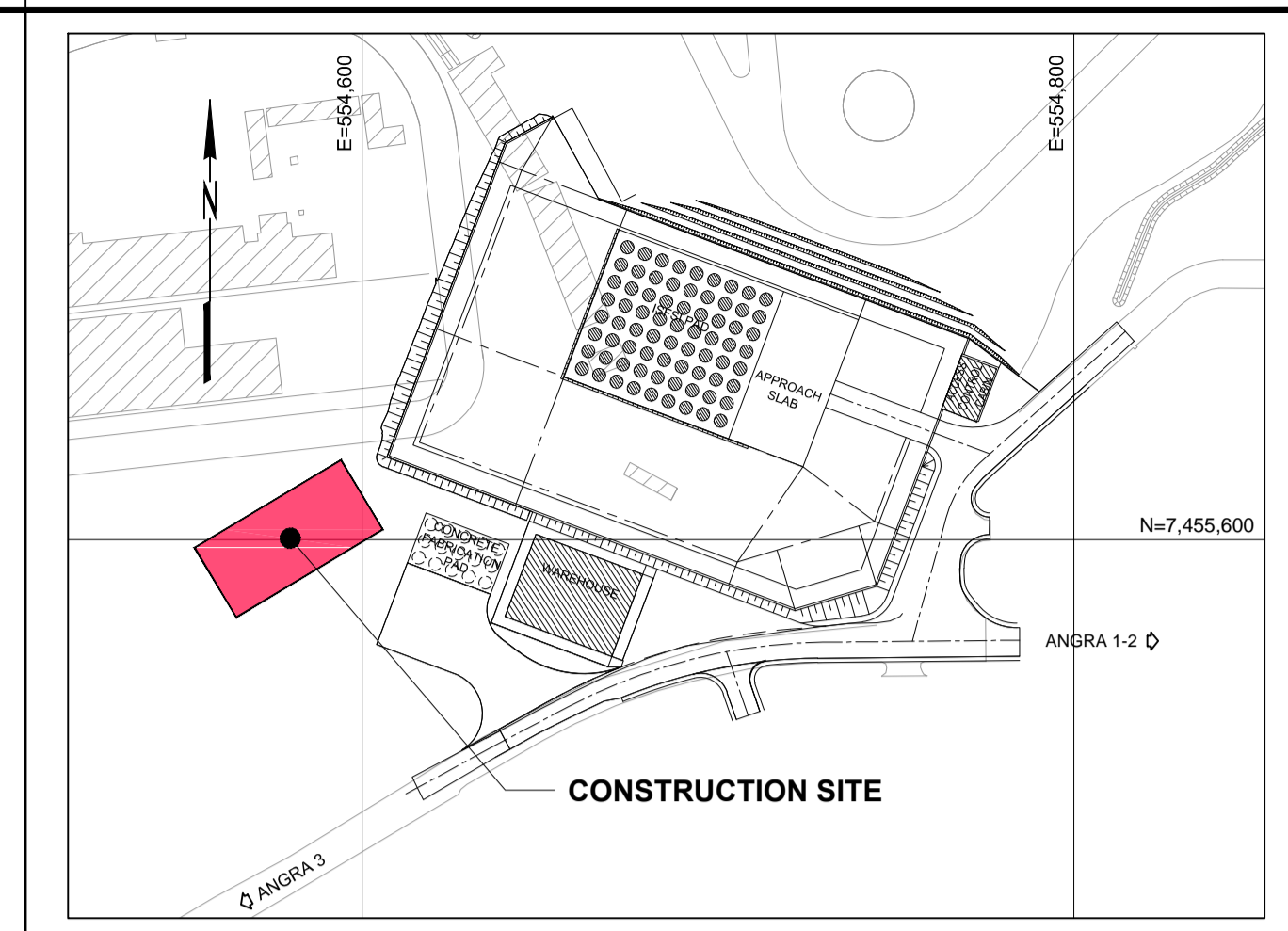


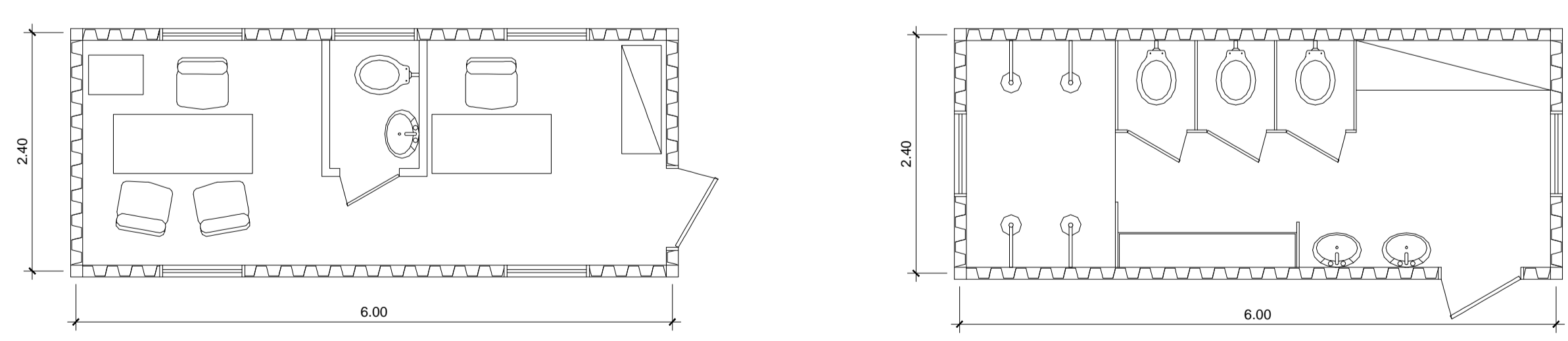
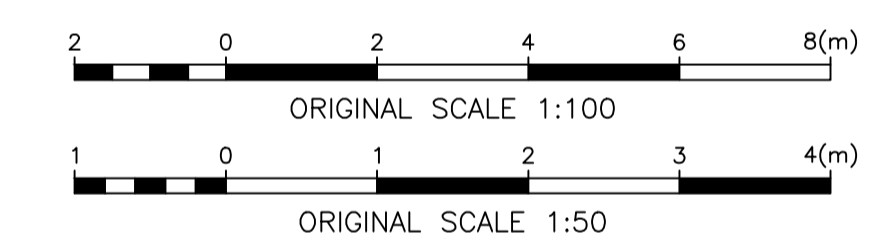
CONSTRUCTION SITE - LAYOUT
SCALE 1:100



KEY PLAN

- NOTES:**
- 1 - ALL SIZES AND DIMENSIONS ARE IN METER, EXCEPT WHERE OTHERWISE INDICATED.
 - 2 - THE COORDINATES SHALL BE TAKEN AS BASIC REFERENCES FOR LOCATION. THE CONSTRUCTION TEAM CAN MAKE ADJUSTMENTS IF NECESSARY.
 - 3 - THE CONSTRUCTION SITE WAS DESIGNED FOR THE UAS CONSTRUCTION ACCORDING TO THE TIME SCHEDULE ADOPTED FOR THE CONSTRUCTION IN 10 MONTHS, TO ALLOW THE ESTIMATES OF POWER AND WATER DEMAND DURING CONSTRUCTION. THE FINAL SITE CONSTRUCTION DESIGN WILL BE RESPONSIBILITY OF THE CONSTRUCTOR, ACCORDING TO THE FINAL TIME SCHEDULE FOR THE CONSTRUCTION APPROVED BY HOLTEC BEFORE THE START OF THE WORKS.

- LEGEND:**
- 1 - OFFICE
 - 2 - SONDOTÉCNICA'S OFFICE
 - 3 - HOLTEC'S OFFICE
 - 4 - MEDICAL SERVICE
 - 5 - CAFETERIA
 - 6 - TECHNOLOGICAL CONTROL
 - 7 - WAREHOUSE
 - 8 - SHED OPEN - WAREHOUSE
 - 9 - FORMWORK AREA
 - 10 - REINFORCEMENT AREA
 - 11 - TOILET / CHANGING ROOM
 - 12 - SUBCONTRACTORS



DIMENSIONS
SCALE 1:50

R1	APPROVED BY HOLTEC IN THE DDF-2776-70	12/10/18	LPV	RJV	MCLRB	
R0	INITIAL ISSUE. FOR APPROVAL	11/30/18	LPV	RJV	MCLRB	
Rev. Nº:	DESCRIPTION	DATE	PREPARED	CHECKED	APPROVED	DATE
			SONDOTÉCNICA			
			HOLTEC			
THIS DRAWING PACKAGE IS THE INTELLECTUAL PROPERTY OF HOLTEC INTERNATIONAL FOR MANUFACTURING THE COMPONENT BASED ON THE LICENSING BASIS AND DESIGN BASIS. DISSEMINATION OF THIS DRAWING PACKAGE TO ANY ENTITY OTHER THAN THE SYSTEM DESIGNER (HOLTEC) IS STRICTLY PROHIBITED WITHOUT WRITTEN CONSENT OF A HOLTEC CORPORATE OFFICER.						
SDT Nº:		UAS-0-000-0401				
TECHNICAL RESP / CREA Nº:		HVMC / 2001792638				
ART Nº:		2020180051312				
PROJECT/CLIENT:		ANGRA NPP (BRAZIL) TURNKEY DRY FUEL STORAGE				
TITLE:		GEOMETRIC DESIGN UAS CONSTRUCTION GENERAL ARRANGEMENT OF CONSTRUCTION SITE				
SAFETY CATEGORY:	NITS	SIZE	A1	PROJECT NO.	2776	DRAWING NO. / SHEET
						1 OF 1

				USINA NUCLEAR DE ANGRA UAS	
TITLE GEOMETRIC DESIGN UAS CONSTRUCTION GENERAL ARRANGEMENT OF CONSTRUCTION SITE					
ELETROBRAS TERMONUCLEAR S.A. - ELETRONUCLEAR					SCALE IND.
				1 st ISSUE	REV.
				DATE	NAME
				DRAWING Nº:	REV.
				PREPARED	R0
				CHECKED	
				APPROVED	
ORIG.		DESCRIPTION	PREPARED	CHECKED	APPROVED
Rev. Nº:	ISSUED FOR	DATE	AUTHORIZED BY	TECHNICAL RESP. CREA Nº:	

VB-U-UAS-006032