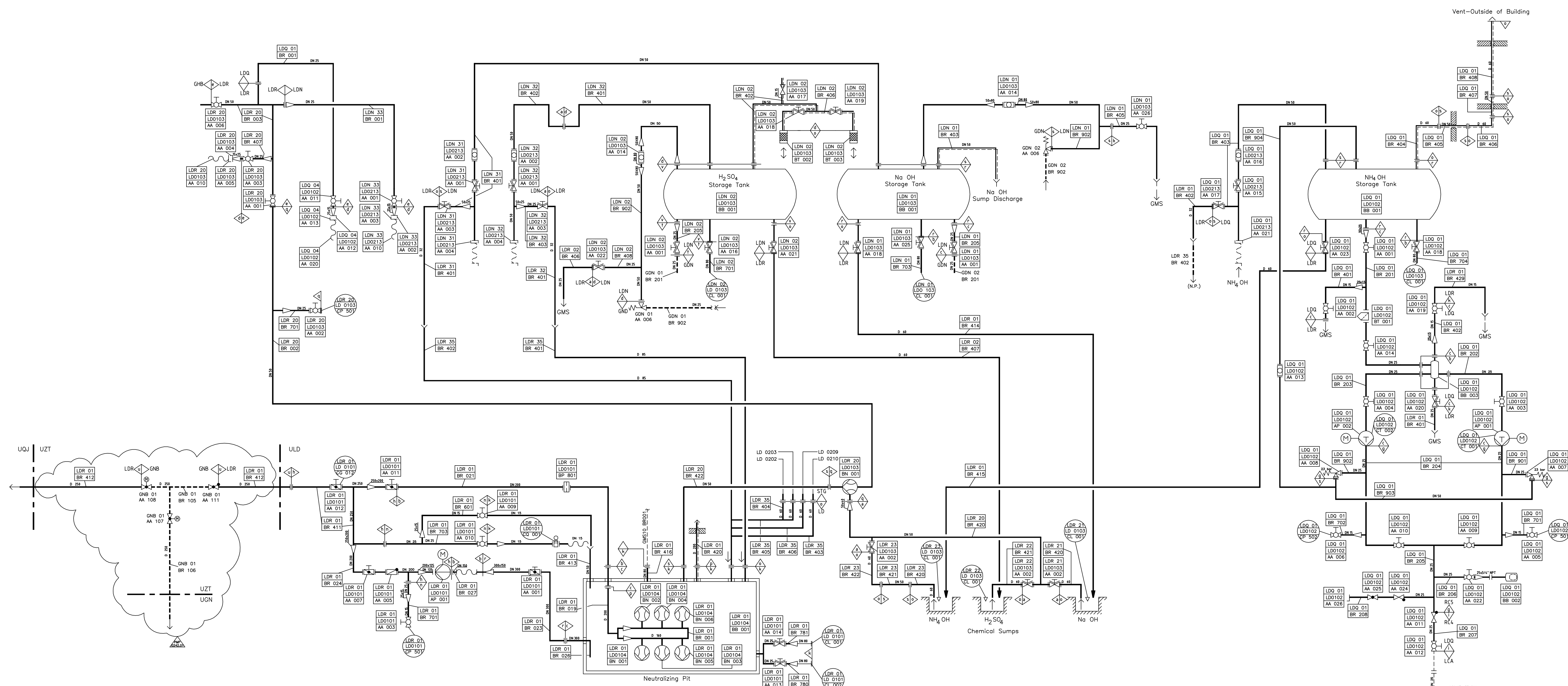


GDN Chemical Supply to Blow Down System
 GHB Pre-Treated Water Distribution System
 GMS Collecting and Drainage System For Supporting Buildings
 LCA Main Condensate System
 LDN Regeneration Chemicals Supply
 LDQ Ammonia Dosing System
 LDR Waste Water and Neutralization
 STG Chemical Laboratory
 ULD Condensate Polishing Building
 UOJ Cooling Water Seal Pit
 UZT Site Area



Material	Requirement category(RC)	Pressure (MPa)	Temperature (°C)	Mass flow (kg/s)	Velocity (m/s)	Design
WSTE 26	5	10	50	1	v	
WSTE 26 #1	5	10	50	2,5	u	
WSTE 26 #2	5	10	50	0,5	t	
WSTE 26 #3	5	10	50	0	s	
WSTE 26 #4	5	10	50	0,5	r	
WSTE 26 #5	5	10	145	10	g	
WSTE 26 #6	5	10	50	0,5	p	
WSTE 26 #7	5	10	50	0	o	
WSTE 26 #8	5	10	50	2,5	n	
WSTE 26 #9	5	10	50	0	k	
WSTE 26 #10	4	16	85	2,5	i	
WSTE 26 #11	5	10	50	2,5	h	
WSTE 26 #12	5	10	50	2,5	h	
WSTE 26 #13	5	16	50	2,3	q	
WSTE 26 #14	5	16	50	12	f	
WSTE 26 #15	5	16	50	12	e	
WSTE 26 #16	5	10	50	0	d	
WSTE 26 #17	5	10	50	0,5	c	
WSTE 26 #18	5	10	50	0,5	b	
WSTE 26 #19	5	10	50	0	a	

Operating conditions
 Absolute pressure (bar) Temperature (°C) Mass flow (kg/s) Velocity (m/s)

R10					
R9					
R8					
R7					
R6					
R5					
R4					
R3					
R2					
R1					
PRC					
REV					
LIB. POR					

NOTE: THIS FLOW DIAGRAM IS NOT SUBSTITUTED THE DRAWING 3D-LD-43037-03

ELTROBRÁS TERMONUCLEAR S.A. USINA NUCLEAR DE ANGRA UNIDADE 2

Condensate Polishing System
 Chemicals Dosing

LD

DATA	NOME	XG-2LD-43047
FEITO	15/09/88	Sergio
FEITO	21/03/90	Adelino
FEITO	21/03/90	Miriam

APROV. 21/03/90

AD3200-TS3-0E-43047

Small text at the bottom left corner, likely a legend or notes for the diagram.