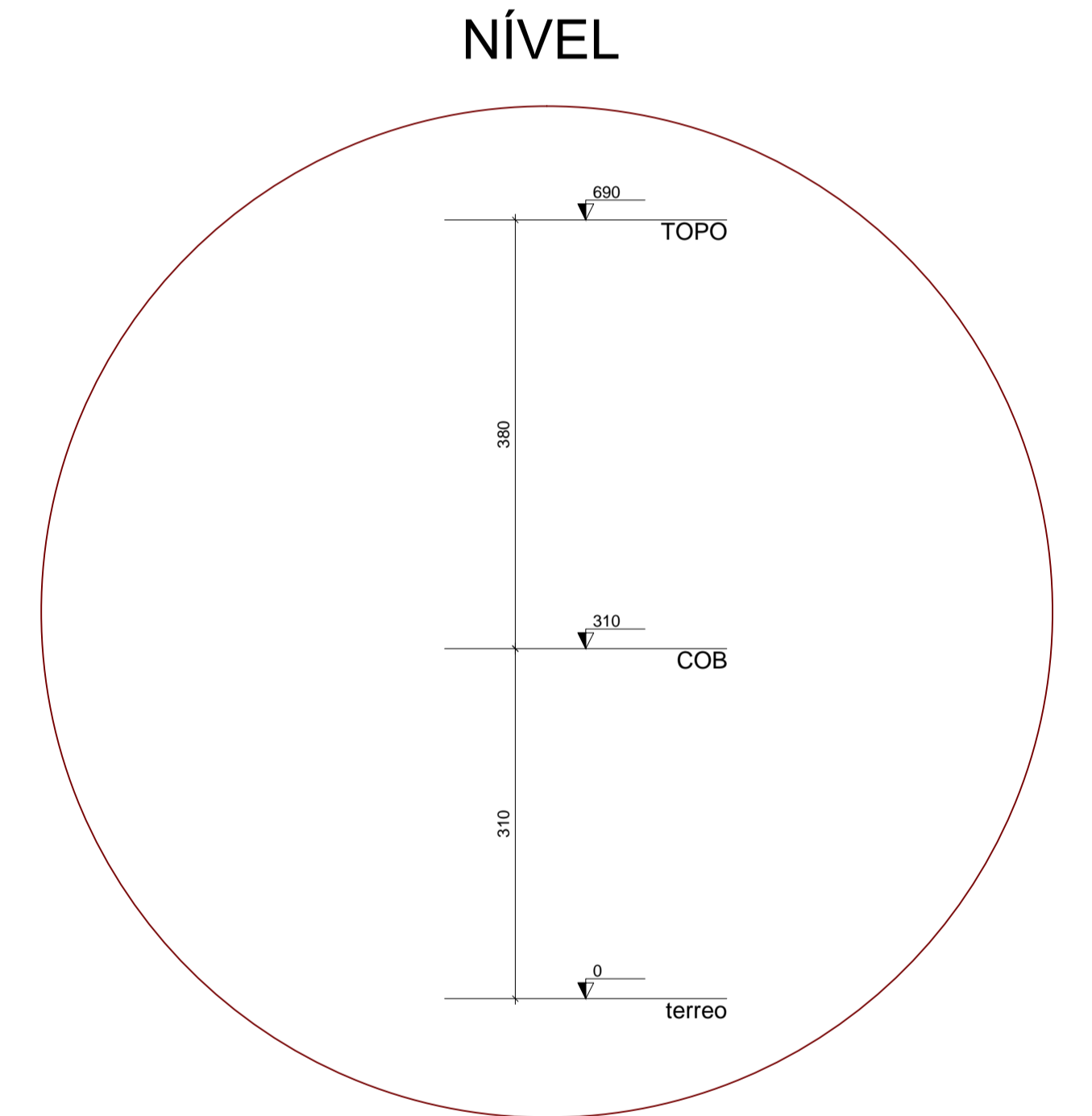
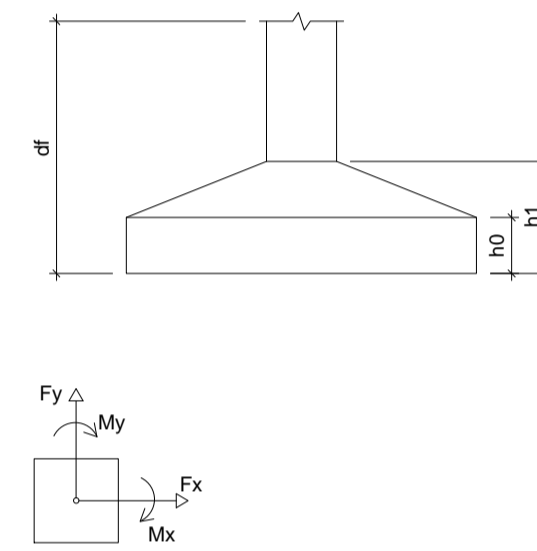


Nome	Seção (cm)	X (cm)	Y (cm)	Pilar				Fundação						
				Carga Máx. (tf)	Carga Min. (tf)	Mx (kgf.m)	My (kgf.m)	Fx (tf)	Fy (tf)	Lado B (cm)	Lado H (cm)	h0 / ha (cm)	h1 / hb (cm)	df (cm)
P 1	20x20	695.72	1454.16	15.1	14.7	1200	300	0.6	3.5	140	140	20	40	100
P 2	20x20	1516.65	1453.49	15.1	14.7	1200	300	0.6	3.5	140	140	20	40	100
P 3	12x65	1106.21	1324.50	9.6	9.3	300	1300	0.4	1.1	90	145	20	30	100
P 4	12x30	1024.10	1200.20	2.5	1.7	500	100	0.2	0.8	70	90	25	25	100
P 5	12x30	1185.35	1200.20	2.4	1.7	500	100	0.2	0.8	70	90	25	25	100
P 6	12x30	1024.10	932.30	3.1	2.2	200	100	0.2	0.4	60	65	25	25	100
P 7	12x30	1185.35	932.30	3.1	2.2	200	100	0.2	0.4	60	65	25	25	100
P 8	20x20	114.69	873.85	16.7	16.4	600	1200	3.6	1.5	140	140	20	40	100
P 9	20x20	951.90	826.60	14.1	13.0	600	300	0.5	1.4	120	120	20	35	100
P 10	20x20	1261.78	830.04	14.0	12.9	600	300	0.5	1.4	120	120	20	35	100
P 11	20x20	2097.32	863.57	16.7	16.4	600	1200	3.6	1.5	140	140	20	40	100
P 12	20x20	738.85	610.79	14.3	13.1	300	600	1.5	0.7	120	120	20	35	100
P 13	18x20	1023.09	659.40	0.4	0.2	200	200	0.2	0.3	70	75	25	25	100
P 14	18x20	1188.71	659.40	0.5	0.3	200	200	0.2	0.3	60	65	25	25	100
P 15	20x20	1468.72	611.03	14.3	13.1	300	600	1.5	0.6	120	120	20	35	100
P 16	18x20	906.40	542.71	0.3	0.1	200	200	0.3	0.2	75	65	25	25	100
P 17	18x20	1303.05	542.71	0.1	0.0	200	200	0.3	0.3	60	65	25	25	100
P 18	18x20	906.40	379.44	0.3	0.1	200	200	0.3	0.2	70	75	25	25	100
P 19	18x20	1303.05	379.44	0.2	0.1	200	200	0.3	0.2	70	75	25	25	100
P 20	20x20	739.89	308.54	14.2	13.0	300	600	1.4	0.7	120	120	20	35	100
P 21	18x20	1023.09	262.75	0.2	0.1	200	200	0.2	0.3	70	75	25	25	100
P 22	20x20	1468.72	308.32	14.4	13.2	300	600	1.5	0.7	120	120	20	35	100
P 23	18x20	1188.71	262.75	0.1	0.0	200	200	0.2	0.3	60	65	25	25	100
P 24	20x20	954.45	96.93	14.3	13.1	600	300	0.7	1.5	120	120	20	35	100
P 25	20x20	1254.60	97.86	14.3	13.1	600	300	0.7	1.5	120	120	20	35	100
P 26	20x20	114.14	50.83	16.6	16.3	600	1200	3.6	1.6	140	140	20	40	100
P 27	20x20	2098.70	50.50	16.5	16.2	600	1200	3.6	1.5	140	140	20	40	100
P 28	20x20	695.22	-530.53	16.5	16.2	1200	600	1.6	3.5	140	140	20	40	100
P 29	20x20	1515.98	-529.09	16.5	16.2	1200	600	1.6	3.5	140	140	20	40	100



Planta de locação
escala 1:50

P1 ENGENHARIA	
PREFEITURA MUNICIPAL DE:	PARANAITA
TIPO DA OBRA:	CASA DA CULTURA E MEMÓRIA
PROPRIETÁRIO CPF OU CEC:	COMPANHIA HIDRELÉTRICA TELES PIRES (CHTP)
RESPONSÁVEL TÉCNICO: CREA:	Engenheiro Civil VERIDIANE DAL BEM ENG CIVIL CREA RN 1213613965
ESCALA: INDICADAS	DATA: AGOSTO / 2015
ASSUNTO:	ESTRUTURAL
FOLHA Nº:	01/09