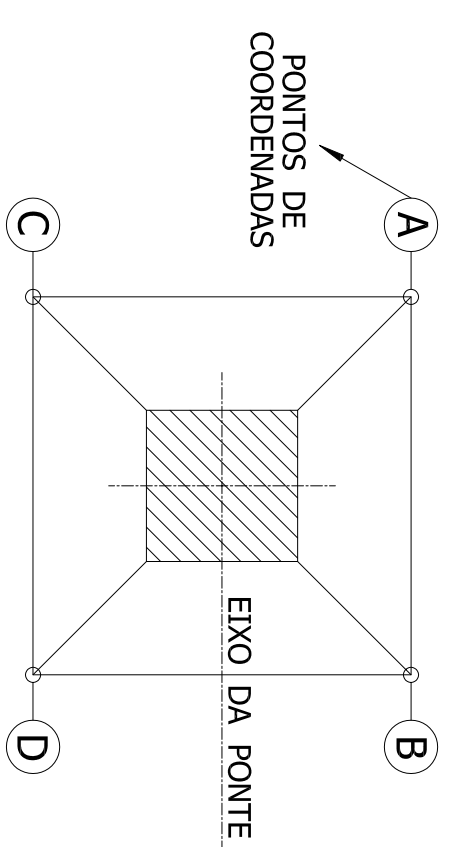


**LOCAÇÃO E SITUAÇÃO DA OBRA 05**

**QUADRO DE COORDENADAS**

OBRA	PILARES	ESTAÇAS	COORDENADAS EST (X)	COORDENADAS NORTE (Y)	PONTOS EST (X)	PONTOS NORTE (Y)
05	PA-E01	21552+3,30	X = 733194,6834	Y = 9152074,7110	A	733194,6834
	PB-E01	21552+3,30	X = 733193,9379	Y = 9152072,2947	B	733193,9379
			X = 733196,6232	Y = 9152072,8695	C	733196,6232
	P-C(D)-E01	21552+14,84	X = 733205,3280	Y = 9152071,9997	D	733205,3280
			X = 733202,3071	Y = 9152070,6104	E	733202,3071
	P1	21554+1,00	X = 733229,4279	Y = 9152051,9190	A	733229,4279
			X = 733233,6238	Y = 9152061,1485	B	733233,6238
	P2	21554+6,83	X = 733254,3488	Y = 9152055,7710	A	733254,3488
			X = 733252,3882	Y = 9152060,8812	B	733252,3882
	P3	21554+11,86	X = 733279,2297	Y = 9152048,3960	A	733279,2297
			X = 733281,9172	Y = 9152052,2958	B	733281,9172
	P4	21554+17,79	X = 733284,1028	Y = 9152041,0710	A	733284,1028
			X = 733282,8438	Y = 9152033,2529	B	733282,8438
	P5	21554+23,72	X = 733282,8438	Y = 9152033,2529	A	733282,8438
X = 733280,7172			Y = 9152027,7772	B	733280,7172	
P6	21554+29,65	X = 733281,9172	Y = 9152021,9583	A	733281,9172	
		X = 733280,7172	Y = 9152014,2920	B	733280,7172	
P7	21554+35,58	X = 733279,2297	Y = 9152011,1260	A	733279,2297	
		X = 733278,0298	Y = 9152004,4860	B	733278,0298	
P8	21554+41,51	X = 733276,3488	Y = 9152001,8110	A	733276,3488	
		X = 733275,1489	Y = 9151994,1508	B	733275,1489	
P9	21554+47,44	X = 733273,2689	Y = 9151987,4810	A	733273,2689	
		X = 733272,0690	Y = 9151980,8210	B	733272,0690	
P10	21554+53,37	X = 733269,3882	Y = 9151977,1810	A	733269,3882	
		X = 733268,1883	Y = 9151970,5210	B	733268,1883	
P11	21554+59,30	X = 733265,3075	Y = 9151967,4810	A	733265,3075	
		X = 733264,1076	Y = 9151960,8210	B	733264,1076	
P12	21554+65,23	X = 733261,2268	Y = 9151957,3810	A	733261,2268	
		X = 733260,0269	Y = 9151949,7210	B	733260,0269	
P13	21554+71,16	X = 733257,1461	Y = 9151948,6210	A	733257,1461	
		X = 733255,9462	Y = 9151941,9610	B	733255,9462	
P14	21554+77,09	X = 733253,0654	Y = 9151937,2210	A	733253,0654	
		X = 733251,8655	Y = 9151929,5610	B	733251,8655	

**DETALHE GENÉRICO**



P15	21572+3,02	X = 733277,1461	Y = 9151960,6000	A	733277,1461
		X = 733275,9462	Y = 9151954,1728	B	733275,9462
P16	21572+8,95	X = 733262,6174	Y = 9151953,2682	A	733262,6174
		X = 733260,4175	Y = 9151946,6380	B	733260,4175
P17	21574+11,88	X = 733267,4068	Y = 9151944,8120	A	733267,4068
		X = 733265,2069	Y = 9151941,1810	B	733265,2069
P18	21574+16,81	X = 733262,2062	Y = 9151938,1981	A	733262,2062
		X = 733260,0063	Y = 9151931,5580	B	733260,0063
P19	21574+21,74	X = 733278,9914	Y = 9151930,3424	A	733278,9914
		X = 733276,7915	Y = 9151923,7024	B	733276,7915
P20	21574+26,67	X = 733271,6338	Y = 9151922,2102	A	733271,6338
		X = 733269,4339	Y = 9151915,5702	B	733269,4339
P21	21574+31,60	X = 733278,1652	Y = 9151918,7384	A	733278,1652
		X = 733275,9653	Y = 9151912,0984	B	733275,9653
P22	21574+36,53	X = 733272,7526	Y = 9151915,9128	A	733272,7526
		X = 733270,5527	Y = 9151909,2728	B	733270,5527
P23	21574+41,46	X = 733277,5420	Y = 9151912,2680	A	733277,5420
		X = 733275,3421	Y = 9151906,6280	B	733275,3421
P24	21574+46,39	X = 733272,3314	Y = 9151909,4324	A	733272,3314
		X = 733270,1315	Y = 9151902,7924	B	733270,1315
P25	21574+51,32	X = 733281,1352	Y = 9151918,7056	A	733281,1352
		X = 733278,9353	Y = 9151912,0656	B	733278,9353
P26	21574+56,25	X = 733284,0068	Y = 9151968,6661	A	733284,0068
		X = 733281,8069	Y = 9151962,0261	B	733281,8069
P27	21574+61,18	X = 733287,8772	Y = 9151964,3172	A	733287,8772
		X = 733285,6773	Y = 9151957,6772	B	733285,6773
P28	21574+66,11	X = 733284,0068	Y = 9151968,6666	A	733284,0068
		X = 733281,8069	Y = 9151962,0266	B	733281,8069
P29	21574+71,04	X = 733287,7462	Y = 9151964,3172	A	733287,7462
		X = 733285,5463	Y = 9151957,6772	B	733285,5463
P30	21574+75,97	X = 733281,1352	Y = 9151968,6666	A	733281,1352
		X = 733278,9353	Y = 9151962,0266	B	733278,9353
P31	21574+80,90	X = 733284,0068	Y = 9151964,3172	A	733284,0068
		X = 733281,8069	Y = 9151957,6772	B	733281,8069
P32	21574+85,83	X = 733287,6772	Y = 9151960,8210	A	733287,6772
		X = 733285,4773	Y = 9151954,1810	B	733285,4773

P33	21594+10,08	X = 734201,6571	Y = 9191787,7987	A	734201,6571
		X = 734199,4572	Y = 9191781,1586	B	734199,4572
P34	21594+16,03	X = 734203,4331	Y = 9191776,3842	A	734203,4331
		X = 734201,2332	Y = 9191767,0442	B	734201,2332
P35	21594+22,00	X = 734206,0933	Y = 9191762,7318	A	734206,0933
		X = 734203,8934	Y = 9191758,0818	B	734203,8934
P36	21594+28,00	X = 734208,6725	Y = 9191748,9955	A	734208,6725
		X = 734206,4726	Y = 9191742,3555	B	734206,4726
P37	21594+34,04	X = 734201,1803	Y = 9191737,1114	A	734201,1803
		X = 734198,9804	Y = 9191724,2448	B	734198,9804
P38	21594+40,08	X = 734222,7012	Y = 9191724,2448	A	734222,7012
		X = 734220,5013	Y = 9191717,6048	B	734220,5013
P39	21594+46,08	X = 734224,2723	Y = 9191711,3780	A	734224,2723
		X = 734222,0724	Y = 9191704,7380	B	734222,0724
P40	21594+52,08	X = 734226,8434	Y = 9191698,5075	A	734226,8434
		X = 734224,6435	Y = 9191691,8675	B	734224,6435
P41	21594+58,08	X = 734229,4145	Y = 9191686,2762	A	734229,4145
		X = 734227,2146	Y = 9191680,6362	B	734227,2146
P42	21594+64,08	X = 734232,9856	Y = 9191674,0449	A	734232,9856
		X = 734230,7857	Y = 9191667,4049	B	734230,7857
P43	21594+70,08	X = 734235,5567	Y = 9191661,8136	A	734235,5567
		X = 734233,3568	Y = 9191661,8136	B	734233,3568
P44	21594+76,08	X = 734238,1278	Y = 9191654,5823	A	734238,1278
		X = 734235,9279	Y = 9191648,9423	B	734235,9279
P45	21594+82,08	X = 734240,6989	Y = 9191648,9423	A	734240,6989
		X = 734238,4990	Y = 9191643,3023	B	734238,4990
P46	21594+88,08	X = 734243,2700	Y = 9191641,1110	A	734243,2700
		X = 734241,0701	Y = 9191635,4710	B	734241,0701
P47	21594+94,08	X = 734245,8411	Y = 9191635,4710	A	734245,8411
		X = 734243,6412	Y = 9191629,8310	B	734243,6412
P48	21594+100,08	X = 734248,4122	Y = 9191629,8310	A	734248,4122
		X = 734246,2123	Y = 9191624,1910	B	734246,2123
P49	21594+106,08	X = 734250,9833	Y = 9191624,1910	A	734250,9833
		X = 734248,7834	Y = 9191618,5510	B	734248,7834
P50	21594+112,08	X = 734253,5544	Y = 9191618,5510	A	734253,5544
		X = 734251,3545	Y = 9191612,9110	B	734251,3545
P51	21594+118,08	X = 734256,1255	Y = 9191612,9110	A	734256,1255
		X = 734253,9256	Y = 9191607,2710	B	734253,9256
P52	21594+124,08	X = 734258,6966	Y = 9191607,2710	A	734258,6966
		X = 734256,4967	Y = 9191601,6310	B	734256,4967
P53	21594+130,08	X = 734261,2677	Y = 9191601,6310	A	734261,2677
		X = 734259,0678	Y = 9191596,0010	B	734259,0678
P54	21594+136,08	X = 734263,8388	Y = 9191596,0010	A	734263,8388
		X = 734261,6389	Y = 9191590,3610	B	734261,6389
P55	21594+142,08	X = 734266,4100	Y = 9191590,3610	A	734266,4100
		X = 734264,2101	Y = 9191584,7210	B	734264,2101
P56	21594+148,08	X = 734268,9811	Y = 9191584,7210	A	734268,9811
		X = 734266,7812	Y = 9191579,0810	B	734266,7812
P57	21594+154,08	X = 734271,5522	Y = 9191579,0810	A	734271,5522
		X = 734269,3523	Y = 9191573,4410	B	734269,3523
P58	21594+160,08	X = 734274,1233	Y = 9191573,4410	A	734274,1233
		X = 734271,9234	Y = 9191567,8010	B	734271,9234
P59	21594+166,08	X = 734276,6944	Y = 9191567,8010	A	734276,6944
		X = 734274,4945	Y = 9191562,1610	B	734274,4945
P60	21594+172,08	X = 734279,2655	Y = 9191562,1610	A	734279,2655
		X = 734277,0656	Y = 9191556,5210	B	734277,0656
P61	21594+178,08	X = 734281,8366	Y = 9191556,5210	A	734281,8366
		X = 734279,6367	Y = 9191550,8810	B	734279,6367
P62	21594+184,08	X = 734284,4077	Y = 9191550,8810	A	734284,4077
		X = 734282,2078	Y = 9191545,2410	B	734282,2078
P63	21594+190,08	X = 734286,9788	Y = 9191545,2410	A	734286,9788
		X = 734284,7789	Y = 9191539,6010	B	734284,7789
P64	21594+196,08	X = 734289,5500	Y = 9191539,6010	A	734289,5500
		X = 734287,3501	Y = 9191534,0010	B	734287,3501
P65	21594+202,08	X = 734292,1211	Y = 9191534,0010	A	734292,1211
		X = 734289,9212	Y = 9191528,4010	B	734289,9212
P66	21594+208,08	X = 734294,6922	Y = 9191528,4010		