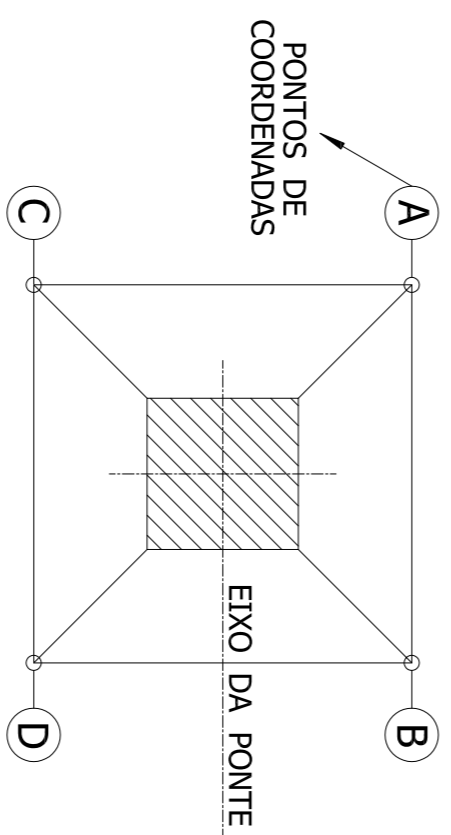


LOCAÇÃO E SITUAÇÃO DA OBRA 03

QUADRO DE COORDENADAS

OBRA	PIARES	ESTACAS	CONCREMATAS		BLOCOS	
			ESTE (X)	NORTE (Y)	ESTE (X)	NORTE (Y)
PA-E01	20714-242	X = 717460,424 Y = 9152126,733	A	X = 717728,4838 Y = 9152122,5271	A	X = 717728,4838 Y = 9152122,5271
			B	X = 717748,2972 Y = 9152127,7418	B	X = 717748,2972 Y = 9152127,7418
			C	X = 717778,8838 Y = 9152124,5248	C	X = 717778,8838 Y = 9152124,5248
			D	X = 717778,8838 Y = 9152124,5248	D	X = 717778,8838 Y = 9152124,5248
PB-E01	20714-242	X = 717173,7851 Y = 9152124,9015	A	X = 717173,7851 Y = 9152124,9015	A	X = 717173,7851 Y = 9152124,9015
			B	X = 717173,7851 Y = 9152124,9015	B	X = 717173,7851 Y = 9152124,9015
			C	X = 717173,7851 Y = 9152124,9015	C	X = 717173,7851 Y = 9152124,9015
			D	X = 717173,7851 Y = 9152124,9015	D	X = 717173,7851 Y = 9152124,9015
P-CAD E01	20714-13,86	X = 717181,3851 Y = 9152122,7028	A	X = 717181,3851 Y = 9152122,7028	A	X = 717181,3851 Y = 9152122,7028
			B	X = 717181,3851 Y = 9152122,7028	B	X = 717181,3851 Y = 9152122,7028
			C	X = 717181,3851 Y = 9152122,7028	C	X = 717181,3851 Y = 9152122,7028
			D	X = 717181,3851 Y = 9152122,7028	D	X = 717181,3851 Y = 9152122,7028
P1	20714-18,12	X = 717215,8522 Y = 9152116,8397	A	X = 717215,8522 Y = 9152116,8397	A	X = 717215,8522 Y = 9152116,8397
			B	X = 717215,8522 Y = 9152116,8397	B	X = 717215,8522 Y = 9152116,8397
			C	X = 717215,8522 Y = 9152116,8397	C	X = 717215,8522 Y = 9152116,8397
			D	X = 717215,8522 Y = 9152116,8397	D	X = 717215,8522 Y = 9152116,8397
P2	20724-5,07	X = 717241,0489 Y = 9152110,8822	A	X = 717241,0489 Y = 9152110,8822	A	X = 717241,0489 Y = 9152110,8822
			B	X = 717241,0489 Y = 9152110,8822	B	X = 717241,0489 Y = 9152110,8822
			C	X = 717241,0489 Y = 9152110,8822	C	X = 717241,0489 Y = 9152110,8822
			D	X = 717241,0489 Y = 9152110,8822	D	X = 717241,0489 Y = 9152110,8822
P3	20721-11,02	X = 717266,3260 Y = 9152105,0960	A	X = 717266,3260 Y = 9152105,0960	A	X = 717266,3260 Y = 9152105,0960
			B	X = 717266,3260 Y = 9152105,0960	B	X = 717266,3260 Y = 9152105,0960
			C	X = 717266,3260 Y = 9152105,0960	C	X = 717266,3260 Y = 9152105,0960
			D	X = 717266,3260 Y = 9152105,0960	D	X = 717266,3260 Y = 9152105,0960
P4	20722-16,97	X = 717291,6629 Y = 9152093,9525	A	X = 717291,6629 Y = 9152093,9525	A	X = 717291,6629 Y = 9152093,9525
			B	X = 717291,6629 Y = 9152093,9525	B	X = 717291,6629 Y = 9152093,9525
			C	X = 717291,6629 Y = 9152093,9525	C	X = 717291,6629 Y = 9152093,9525
			D	X = 717291,6629 Y = 9152093,9525	D	X = 717291,6629 Y = 9152093,9525
P5	20724-2,82	X = 717371,8699 Y = 9152084,9161	A	X = 717371,8699 Y = 9152084,9161	A	X = 717371,8699 Y = 9152084,9161
			B	X = 717371,8699 Y = 9152084,9161	B	X = 717371,8699 Y = 9152084,9161
			C	X = 717371,8699 Y = 9152084,9161	C	X = 717371,8699 Y = 9152084,9161
			D	X = 717371,8699 Y = 9152084,9161	D	X = 717371,8699 Y = 9152084,9161
P6	20724-8,87	X = 717342,8627 Y = 9152089,4112	A	X = 717342,8627 Y = 9152089,4112	A	X = 717342,8627 Y = 9152089,4112
			B	X = 717342,8627 Y = 9152089,4112	B	X = 717342,8627 Y = 9152089,4112
			C	X = 717342,8627 Y = 9152089,4112	C	X = 717342,8627 Y = 9152089,4112
			D	X = 717342,8627 Y = 9152089,4112	D	X = 717342,8627 Y = 9152089,4112
P7	20724-14,82	X = 717268,1317 Y = 9152084,8527	A	X = 717268,1317 Y = 9152084,8527	A	X = 717268,1317 Y = 9152084,8527
			B	X = 717268,1317 Y = 9152084,8527	B	X = 717268,1317 Y = 9152084,8527
			C	X = 717268,1317 Y = 9152084,8527	C	X = 717268,1317 Y = 9152084,8527
			D	X = 717268,1317 Y = 9152084,8527	D	X = 717268,1317 Y = 9152084,8527
P8	20724-14,82	X = 717268,1317 Y = 9152084,8527	A	X = 717268,1317 Y = 9152084,8527	A	X = 717268,1317 Y = 9152084,8527
			B	X = 717268,1317 Y = 9152084,8527	B	X = 717268,1317 Y = 9152084,8527
			C	X = 717268,1317 Y = 9152084,8527	C	X = 717268,1317 Y = 9152084,8527
			D	X = 717268,1317 Y = 9152084,8527	D	X = 717268,1317 Y = 9152084,8527
P9	20724-4,72	X = 717413,3623 Y = 9152078,8698	A	X = 717413,3623 Y = 9152078,8698	A	X = 717413,3623 Y = 9152078,8698
			B	X = 717413,3623 Y = 9152078,8698	B	X = 717413,3623 Y = 9152078,8698
			C	X = 717413,3623 Y = 9152078,8698	C	X = 717413,3623 Y = 9152078,8698
			D	X = 717413,3623 Y = 9152078,8698	D	X = 717413,3623 Y = 9152078,8698
P10	20724-12,87	X = 717443,8680 Y = 9152073,1124	A	X = 717443,8680 Y = 9152073,1124	A	X = 717443,8680 Y = 9152073,1124
			B	X = 717443,8680 Y = 9152073,1124	B	X = 717443,8680 Y = 9152073,1124
			C	X = 717443,8680 Y = 9152073,1124	C	X = 717443,8680 Y = 9152073,1124
			D	X = 717443,8680 Y = 9152073,1124	D	X = 717443,8680 Y = 9152073,1124
P11	20721-18,82	X = 717470,8770 Y = 9152069,8680	A	X = 717470,8770 Y = 9152069,8680	A	X = 717470,8770 Y = 9152069,8680
			B	X = 717470,8770 Y = 9152069,8680	B	X = 717470,8770 Y = 9152069,8680
			C	X = 717470,8770 Y = 9152069,8680	C	X = 717470,8770 Y = 9152069,8680
			D	X = 717470,8770 Y = 9152069,8680	D	X = 717470,8770 Y = 9152069,8680
P12	20724-5,47	X = 717466,6382 Y = 9152066,8698	A	X = 717466,6382 Y = 9152066,8698	A	X = 717466,6382 Y = 9152066,8698
			B	X = 717466,6382 Y = 9152066,8698	B	X = 717466,6382 Y = 9152066,8698
			C	X = 717466,6382 Y = 9152066,8698	C	X = 717466,6382 Y = 9152066,8698
			D	X = 717466,6382 Y = 9152066,8698	D	X = 717466,6382 Y = 9152066,8698
P13	20724-10,82	X = 717252,4811 Y = 9152064,3471	A	X = 717252,4811 Y = 9152064,3471	A	X = 717252,4811 Y = 9152064,3471
			B	X = 717252,4811 Y = 9152064,3471	B	X = 717252,4811 Y = 9152064,3471
			C	X = 717252,4811 Y = 9152064,3471	C	X = 717252,4811 Y = 9152064,3471
			D	X = 717252,4811 Y = 9152064,3471	D	X = 717252,4811 Y = 9152064,3471
P14	20724-16,47	X = 717244,3172 Y = 9152062,1500	A	X = 717244,3172 Y = 9152062,1500	A	X = 717244,3172 Y = 9152062,1500
			B	X = 717244,3172 Y = 9152062,1500	B	X = 717244,3172 Y = 9152062,1500
			C	X = 717244,3172 Y = 9152062,1500	C	X = 717244,3172 Y = 9152062,1500
			D	X = 717244,3172 Y = 9152062,1500	D	X = 717244,3172 Y = 9152062,1500
P15	20724-2,42	X = 717291,3002 Y = 9152060,2044	A	X = 717291,3002 Y = 9152060,2044	A	X = 717291,3002 Y = 9152060,2044
			B	X = 717291,3002 Y = 9152060,2044	B	X = 717291,3002 Y = 9152060,2044
			C	X = 717291,3002 Y = 9152060,2044	C	X = 717291,3002 Y = 9152060,2044
			D	X = 717291,3002 Y = 9152060,2044	D	X = 717291,3002 Y = 9152060,2044

DETALHE GÊNÉRICO



03

P16	20724-8,82	X = 717361,1527 Y = 9152058,8832	A	X = 717361,1527 Y = 9152058,8832
			B	X = 717361,1527 Y = 9152058,8832
			C	X = 717361,1527 Y = 9152058,8832
			D	X = 717361,1527 Y = 9152058,8832
P17	20724-14,82	X = 717363,0283 Y = 9152057,4538	A	X = 717363,0283 Y = 9152057,4538
			B	X = 717363,0283 Y = 9152057,4538
			C	X = 717363,0283 Y = 9152057,4538
			D	X = 717363,0283 Y = 9152057,4538
P18	20714-0,27	X = 717361,15869 Y = 9152056,8624	A	X = 717361,15869 Y = 9152056,8624
			B	X = 717361,15869 Y = 9152056,8624
			C	X = 717361,15869 Y = 9152056,8624
			D	X = 717361,15869 Y = 9152056,8624
P19	20724-6,22	X = 717377,79136 Y = 9152056,0061	A	X = 717377,79136 Y = 9152056,0061
			B	X = 717377,79136 Y = 9152056,0061
			C	X = 717377,79136 Y = 9152056,0061
			D	X = 717377,79136 Y = 9152056,0061
P20	20724-12,17	X = 717331,8864 Y = 9152055,7866	A	X = 717331,8864 Y = 9152055,7866
			B	X = 717331,8864 Y = 9152055,7866
			C	X = 717331,8864 Y = 9152055,7866
			D	X = 717331,8864 Y = 9152055,7866
P21	20724-18,12	X = 717293,8178 Y = 9152055,8028	A	X = 717293,8178 Y = 9152055,8028
			B	X = 717293,8178 Y = 9152055,8028
			C	X = 717293,8178 Y = 9152055,8028
			D	X = 717293,8178 Y = 9152055,8028
P22	20746-4,07	X = 717265,7866 Y = 9152055,3669	A	X = 717265,7866 Y = 9152055,3669
			B	X = 717265,7866 Y = 9152055,3669
			C	X = 717265,7866 Y = 9152055,3669
			D	X = 717265,7866 Y = 9152055,3669
P23	20714-10,02	X = 717291,7072 Y = 9152057,1476	A	X = 717291,7072 Y = 9152057,1476
			B	X = 717291,7072 Y = 9152057,1476
			C	X = 717291,7072 Y = 9152057,1476
			D	X = 717291,7072 Y = 9152057,1476
P24	20746-15,97	X = 717367,8555 Y = 9152058,2752	A	X = 717367,8555 Y = 9152058,2752
			B	X = 717367,8555 Y = 9152058,2752
			C	X = 717367,8555 Y = 9152058,2752
			D	X = 717367,8555 Y = 9152058,2752
P25	20724-13,82	X = 717352,5489 Y = 9152057,3287	A	X = 717352,5489 Y = 9152057,3287
			B	X = 717352,5489 Y = 9152057,3287
			C	X = 717352,5489 Y = 9152057,3287
			D	X = 717352,5489 Y = 9152057,3287
P26	20714-17,87	X = 717365,3719 Y = 9152051,5388	A	X = 717365,3719 Y = 9152051,5388
			B	X = 717365,3719 Y = 9152051,5388
			C	X = 717365,3719 Y = 9152051,5388
			D	X = 717365,3719 Y = 9152051,5388
P27	20724-13,82	X = 717365,3719 Y = 9152051,5388	A	X = 717365,3719 Y = 9152051,5388
			B	X = 717365,3719 Y = 9152051,5388
			C	X = 717365,3719 Y = 9152051,5388
			D	X = 717365,3719 Y = 9152051,5388
P28	20724-18,17	X = 717311,1587 Y = 9152056,1451	A	X = 717311,1587 Y = 9152056,1451
			B	X = 717311,1587 Y = 9152056,1451
			C	X = 717311,1587 Y = 9152056,1451
			D	X = 717311,1587 Y = 9152056,1451
P29	20724-5,72	X = 717366,8773 Y = 9152068,9512	A	X = 717366,8773 Y = 9152068,9512
			B	X = 717366,8773 Y = 9152068,9512
			C	X = 717366,8773 Y = 9152068,9512
			D	X = 717366,8773 Y = 9152068,9512
P30	20724-11,67	X = 717362,8894 Y = 9152072,9816	A	X = 717362,8894 Y = 9152072,9816
			B	X = 717362,8894 Y = 9152072,9816
			C	X = 717362,8894 Y = 9152072,9816
			D	X = 717362,8894 Y = 9152072,9816
P31	20724-17,82	X = 717368,1485 Y = 9152075,8683	A	X = 717368,1485 Y = 9152075,8683
			B	X = 717368,1485 Y = 9152075,8683
			C	X = 717368,1485 Y = 9152075,8683
			D	X = 717368,1485 Y = 9152075,8683
P-CAD E02	20724-2,80	X = 717401,3281 Y = 9152079,2546	A	X = 717401,3281 Y = 9152079,2546