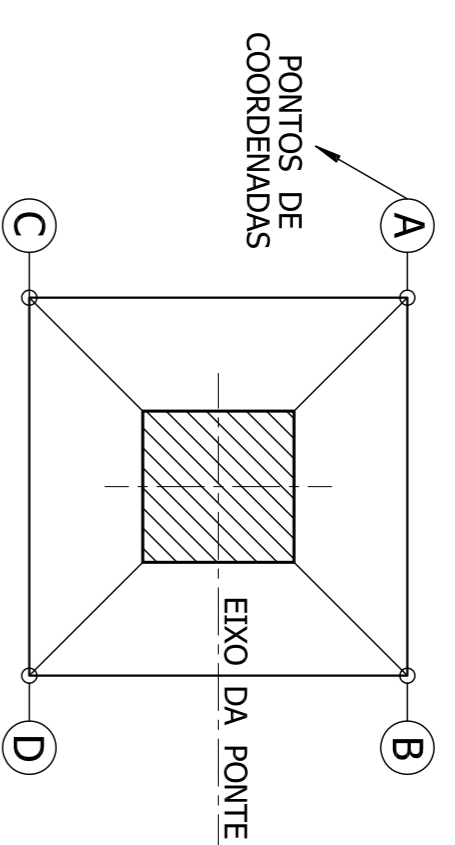


LOCAÇÃO E SITUAÇÃO DA OBRA 01



QUADRO DE COORDENADAS

OBRA	PILARES	ESTACAS	COORDENADAS		PONTOS	BLOCOS		
			ESTE (X)	NORTE (Y)		ESTE (X)	NORTE (Y)	
PA - E01	10800 + 12,91m	X = 673601,8512 Y = 9130728,1491	A	X = 673600,0699	Y = 9130728,6002	A	X = 673600,0699	Y = 9130728,6002
			B	X = 673602,3023	Y = 9130729,9314	B	X = 673601,4001	Y = 9130728,9883
			C	X = 673601,4001	Y = 9130728,9883	D	X = 673603,6335	Y = 9130721,6980
			D	X = 673603,6335	Y = 9130721,6980	A	X = 673601,5026	Y = 9130726,1960
PB - E01	10800 + 12,91m	X = 673603,2948 Y = 9130725,7400	A	X = 673603,7359	Y = 9130721,5263	B	X = 673602,8338	Y = 9130723,9617
			B	X = 673602,8338	Y = 9130723,9617	C	X = 673605,0671	Y = 9130725,2929
			C	X = 673605,0671	Y = 9130725,2929	D	X = 673609,5011	Y = 9130743,4888
			D	X = 673609,5011	Y = 9130743,4888	A	X = 673628,9226	Y = 9130724,6179
P-(C+D) E01	10801 + 4,44m	X = 673612,4880 Y = 9130732,8678	A	X = 673612,0680	Y = 9130738,6220	B	X = 673612,2937	Y = 9130738,6220
			B	X = 673612,2937	Y = 9130738,6220	C	X = 673616,1161	Y = 9130731,2386
			C	X = 673616,1161	Y = 9130731,2386	D	X = 673620,9486	Y = 9130761,2566
			D	X = 673620,9486	Y = 9130761,2566	A	X = 673654,9615	Y = 9130764,8007
P1	10802 + 9,60m	X = 673634,0882 Y = 9130745,7349	A	X = 673634,4883	Y = 9130739,9057	B	X = 673634,4883	Y = 9130743,4888
			B	X = 673634,4883	Y = 9130743,4888	C	X = 673650,9486	Y = 9130761,2566
			C	X = 673650,9486	Y = 9130761,2566	D	X = 673655,7816	Y = 9130753,1822
			D	X = 673655,7816	Y = 9130753,1822	A	X = 673681,7744	Y = 9130758,1682
P2	10803 + 15,53m	X = 673656,9615 Y = 9130759,0114	A	X = 673656,9615	Y = 9130759,0114	B	X = 673656,9615	Y = 9130759,0114
			B	X = 673656,9615	Y = 9130759,0114	C	X = 673677,9377	Y = 9130766,9829
			C	X = 673677,9377	Y = 9130766,9829	D	X = 673683,6070	Y = 9130770,3622
			D	X = 673683,6070	Y = 9130770,3622	A	X = 673696,6070	Y = 9130786,7843
P-(C+D) E02	10806 + 6,62m	X = 673700,2381 Y = 9130785,1651	A	X = 673700,4724	Y = 9130789,0883	B	X = 673700,4724	Y = 9130789,0883
			B	X = 673700,4724	Y = 9130789,0883	C	X = 673703,8005	Y = 9130783,5060
			C	X = 673703,8005	Y = 9130783,5060	D	X = 673709,0895	Y = 9130790,3248
			D	X = 673709,0895	Y = 9130790,3248	A	X = 673711,3229	Y = 9130791,6561
PB - E02	10806 + 18,16m	X = 673710,8718 Y = 9130789,8738	A	X = 673711,3229	Y = 9130791,6561	B	X = 673711,3229	Y = 9130791,6561
			B	X = 673711,3229	Y = 9130791,6561	C	X = 673710,4208	Y = 9130789,0915
			C	X = 673710,4208	Y = 9130789,0915	D	X = 673712,6541	Y = 9130789,4227
			D	X = 673712,6541	Y = 9130789,4227	A	X = 673707,6559	Y = 9130792,7300
PA - E02	10806 + 18,16m	X = 673709,4382 Y = 9130792,2789	A	X = 673709,4382	Y = 9130794,0612	B	X = 673709,4382	Y = 9130794,0612
			B	X = 673709,4382	Y = 9130794,0612	C	X = 673708,9871	Y = 9130790,4965
			C	X = 673708,9871	Y = 9130790,4965	D	X = 673711,2295	Y = 9130791,8278
			D	X = 673711,2295	Y = 9130791,8278			

02		REVISÃO DO PROJETO EXECUTIVO	EMITENTE	VERIFICAÇÃO	APROVAÇÃO	CÓDIGO	DOCUMENTOS DE REFERENCIA	OBJETO	RESPT/TEC.	VERIF. /	RESPT/TEC. /	CONVENÇÕES	ESTR. TÓRUL E PROPRIEDADE DA	APPROVAÇÃO	OBJETO	ESCALAS	QUADRO DE COORDENADAS	REVISÃO
01		REVISÃO GERAL	DISCRIMINAÇÃO	REVISORES								<p>CONCREMAT <i>engenharia lida</i></p> <p>CONCREMAT <i>engenharia lida</i></p>	<p>ESTA TÓRUL E PROPRIEDADE DA</p> <p>CONCREMAT <i>engenharia lida</i></p> <p>CONCREMAT <i>engenharia lida</i></p>	<p>CONCREMAT <i>engenharia lida</i></p> <p>CONCREMAT <i>engenharia lida</i></p>	<p>CONCREMAT <i>engenharia lida</i></p> <p>CONCREMAT <i>engenharia lida</i></p>	<p>CONCREMAT <i>engenharia lida</i></p> <p>CONCREMAT <i>engenharia lida</i></p>	<p>CONCREMAT <i>engenharia lida</i></p> <p>CONCREMAT <i>engenharia lida</i></p>	<p>CONCREMAT <i>engenharia lida</i></p> <p>CONCREMAT <i>engenharia lida</i></p>